

FEATURED MODEL

442023 ARTONA 2.2 gpm, ANTHRACITE & STAINLESS Finish

ADDITIONAL MODELS

- 442030 2.2 gpm, CHROME
- 442029 2.2 gpm, STAINLESS Finish
- 442024 2.2 gpm, CAFE BROWN & STAINLESS Dual Finish
- 442025 2.2 gpm, CINDER & STAINLESS Dual Finish
- 442026 2.2 gpm, METALLIC GRAY & STAINLESS Dual Finish
- 442027 2.2 gpm, TRUFFLE & STAINLESS Dual Finish
- 442028 2.2 gpm, WHITE & STAINLESS Dual Finish

FEATURES

- Solid brass body
- Ceramic disk cartridge
- Pull-down spray
- 2.2 GPM flow rate
- Installation in a 1-3/8" hole
- Color coded hot and cold supply lines
- 180 degree spout swivel

OPTIONAL ACCESSORIES

- ARTONA Soap Dispenser 442049 ANTHRACITE & STAINLESS Finish
- ARTONA Bar/Prep Faucet 442039 ANTHRACITE & STAINLESS Finish

CODE/STANDARDS COMPLIANCE

ASME A112.18.1-2005
 IAPMO Listed
 Meets AB1953 low lead requirements

WARRANTY

BLANCO'S kitchen and bar faucets feature a LIMITED LIFETIME WARRANTY to be free of all manufacturing defects under normal use. See our complete warranty for details.

While BLANCO endeavors to provide accurate information, all dimensions are nominal, cannot be guaranteed, and are subject to change or cancellation. BLANCO assumes no responsibility for use of superseded or voided specifications.

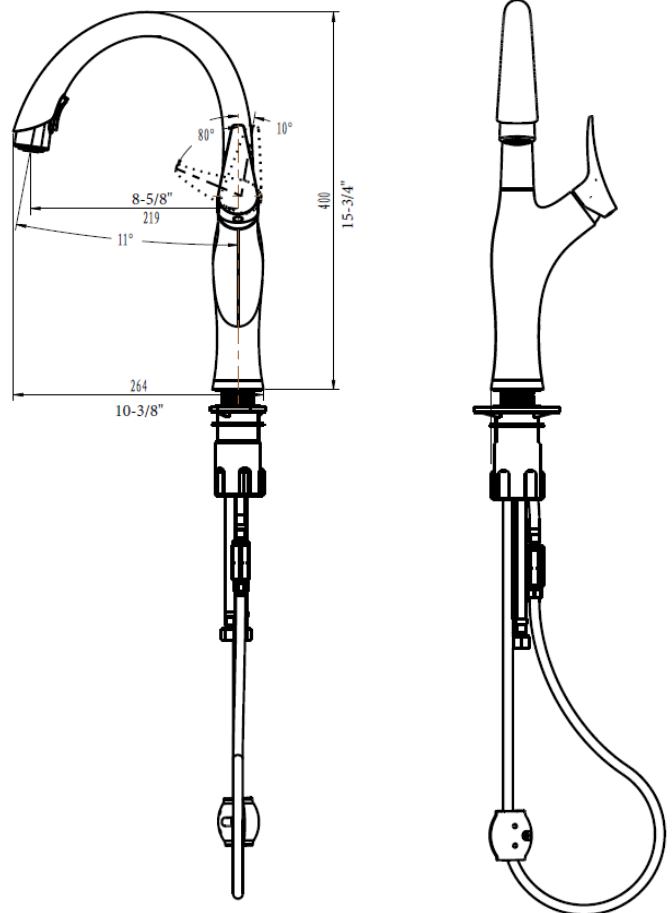
JOB INFORMATION

Job Name: _____
 Contact: _____
 Date Specified: _____
 Specifier: _____
 Contractor: _____

NOMINAL DIMENSIONS

Model shown

REACH	SPOUT HEIGHT	FAUCET HEIGHT
8-5/8"	10"	15-3/4"



See next page for exploded parts drawing and parts list.

BLANCO AMERICA

800.451.5782
 www.blancoamerica.com

© 2016 BLANCO AMERICA

1/16

SPEC-001

REPAIR PART GUIDE

Num.	Description	Part #
1,1.1	Handle - Chrome	441887
1.1	Handle - Screw and Cap	440889
2	Cartridge lock nut	441889
3	Cartridge	440877
4,5	Inner body ring set and screw	441891
6	Mounting assembly	441892
7	Spray hose	440878
8	Check valve	441874
9	Weight	441917
10	Handspray - Chrome	441447
10.1	Aerator	440905
10.2	Flow regulator 2.2 GPM	441448

Need to Change a Faucet Cartridge?



Scan this QR code
to see our how-to video

For faucet technical support or questions,
please e-mail us at blanco@blancoamerica.com