

FEATURED MODEL

441409 Semi Professional, SATIN NICKEL

ADDITIONAL MODELS

441408 Semi Professional, CHROME

FEATURES

- Solid brass body and pull-down handspray
- Meets CALGREEN requirements for water-saving usage
- Ceramic disk cartridge
- Extra long supply lines
- 1.8 GPM flow rate saves 20% more water
- Installation in a 1-3/8" hole
- Color coded hot and cold supply lines
- 5" to 6" pull down
- 360 degree spout swivel
- 3" backsplash clearance off center
- 3-1/2" maximum deck thickness

OPTIONAL ACCESSORIES

Meridian Soap Dispenser: 440058 (Satin Nickel)

CODE/STANDARDS COMPLIANCE

ASME A112.18.1-2011

NSF 61 certified

NSF 61 ANEX G low lead requirements

AB1953 Lead Free

Listed with California Energy Commission

CMR 248 - MA

WARRANTY

BLANCO'S kitchen and bar faucets feature a LIMITED LIFETIME WARRANTY to be free of all manufacturing defects under normal use. See our complete warranty for details.

While BLANCO endeavors to provide accurate information, all dimensions are nominal, cannot be guaranteed, and are subject to change or cancellation. BLANCO assumes no responsibility for use of superseded or voided specifications.

JOB INFORMATION

Job Name: _____

Contact: _____

Date Specified: _____

Specifier: _____

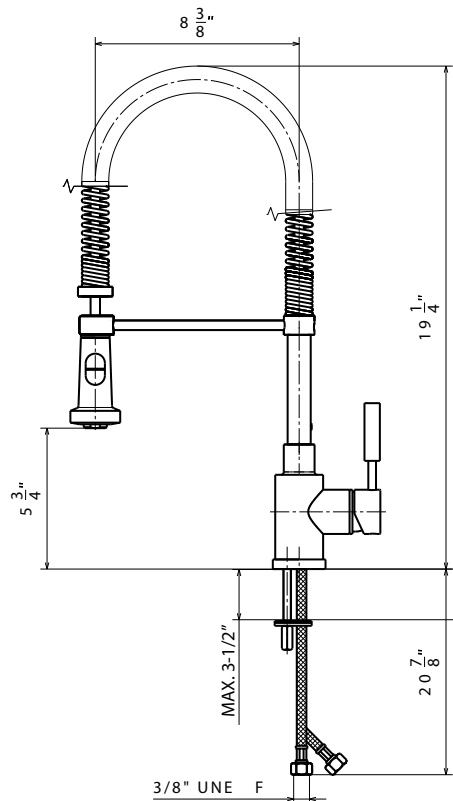
Contractor: _____



Model 441409 shown

NOMINAL DIMENSIONS

REACH	SPOUT HEIGHT	FAUCET HEIGHT
8-3/8"	5-3/4"	19-1/4"



See next page for exploded parts drawing and parts list.

BLANCO AMERICA

800.451.5782

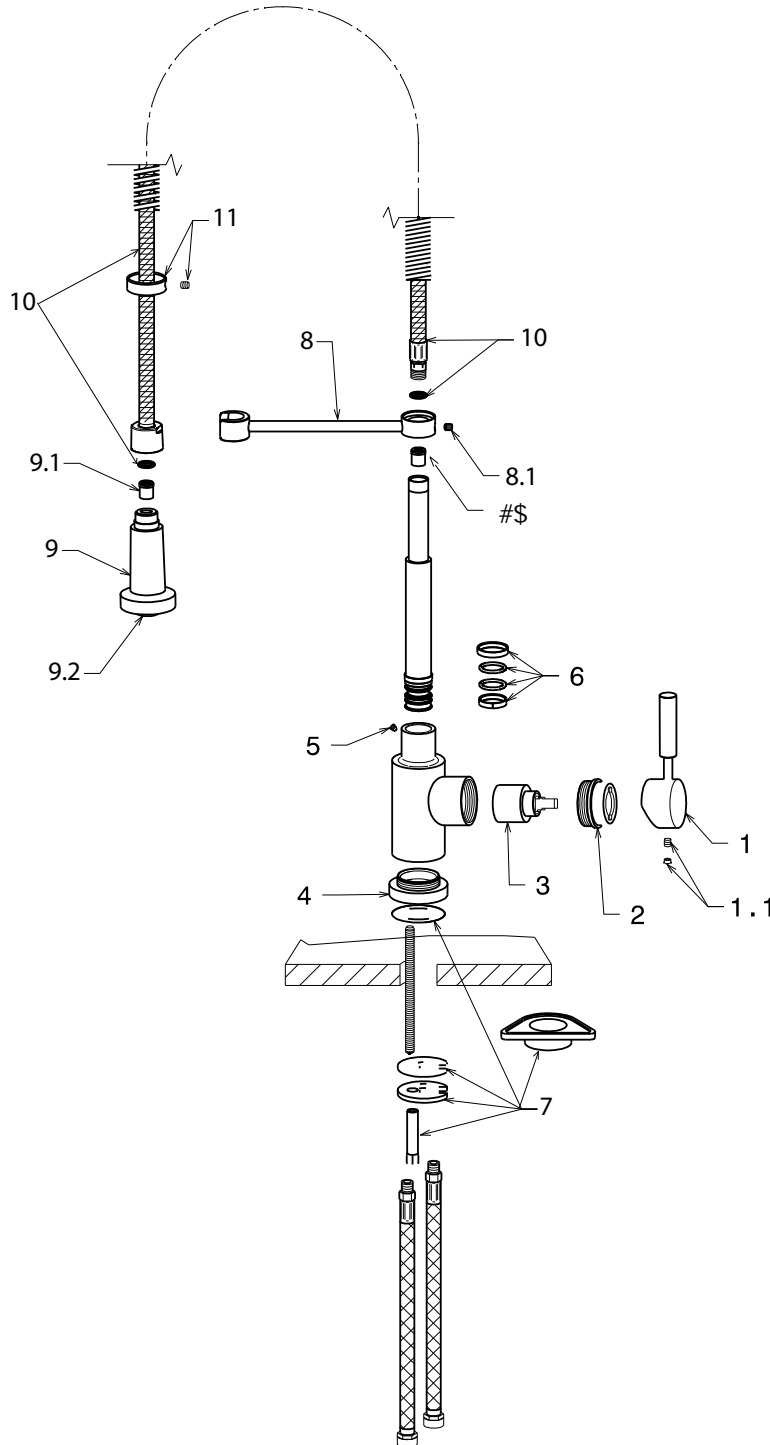
www.blancoamerica.com

© 2013 BLANCO AMERICA

10/14

SPEC-004

Old Model #: 157-140-ST



REPAIR PART GUIDE		
Num.	Description	Part #
1, 1.1	Handle - Satin Nickel	441860
1.1	Handle - Screw and Cap	440890
2	Cartridge Lock Nut	441862
3	Cartridge	440877
4	Round base - Satin Nickel	441864
5	Holding screw	441745
6	O-ring set	441744
7	Mounting set	441751
8, 8.1	Handspray dock station and screw	441866
8.1	Docking station screw	441867
9,9.1,9.2	Handspray - Satin Nickel 1.8	441934
9.1	Flow regulator 1.8	441445
9.2	Aerator	441748
10	Pull-out hose	441737
11	Spring ring & screw - Satin Nickel	441869
12	Flow regulator/check valve	441743

Need to Change a Faucet Cartridge?

Scan this QR code
to see our how-to video

For faucet technical support or questions,
please e-mail us at faucets@blancoamerica.com