

Product information sheet FONTAS II Filter

Item no. 525094

Benefits



- Comfortable 3 in 1 mixer tap with cold and warm water lever on the right, filtered water lever on the left
- Separate water circuit with extra spout for filtered water – no mixture with mains water
- Space-saving and practical: with the 3 in 1 tap no additional drilling is required for filtered water supply
- Spout can be swivelled through 360° for greater cover
- Surface finishes to perfectly match sinks and bowls
- Needs to be installed with a water filter system

Colours



Available colours:

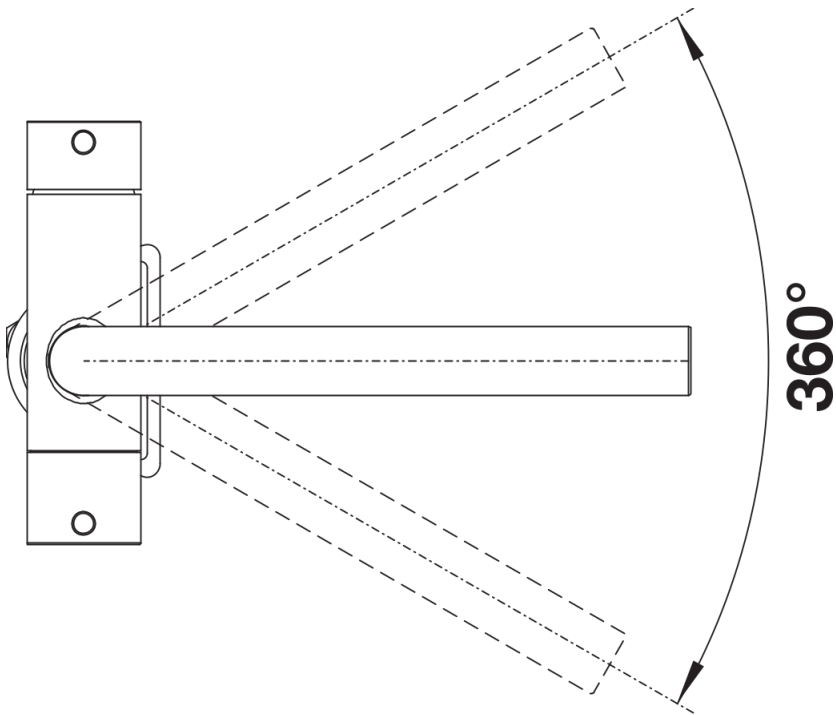
PVD steel

PVD PVD steel

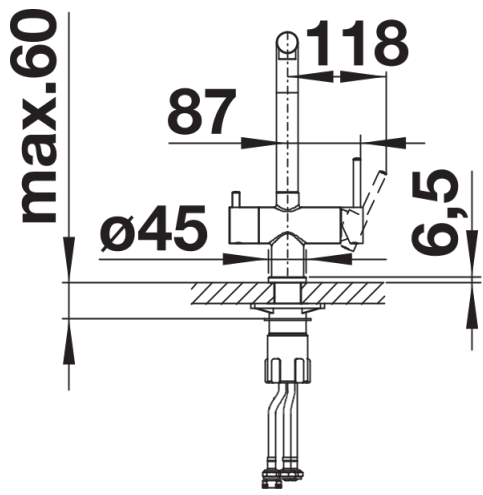
Scope of supply

- 360° swivel spout for greater reach
- Ø 35 mm tap hole required
- Ceramic valve and disk cartridge
- Clear stream aerator
- Flexible connector pipes, 700 mm long and ½" nut
- Stabilisation plate to increase the stability of the tap when fitted in stainless steel sinks
- Filter system not included

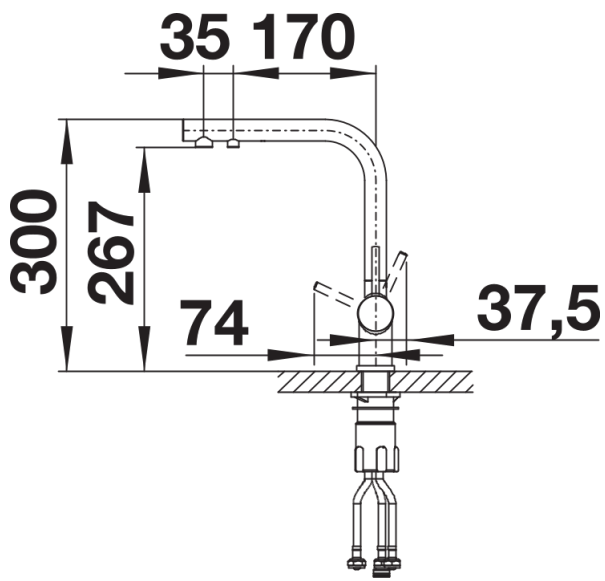
Details



Swivel range



Side view hand gear 2D



Side view