

## Product information sheet LINUS-S

Item no. 519371

### Benefits

---



- Minimalist design
- Extendable spray head
- High quality metal spray
- High spout for easy filling of pans and vases
- Design and colour of tap and coloured sink are a perfect match

## Colours

---



Available colours:

black  
anthracite  
rock grey  
white

SILGRANIT-Look anthracite

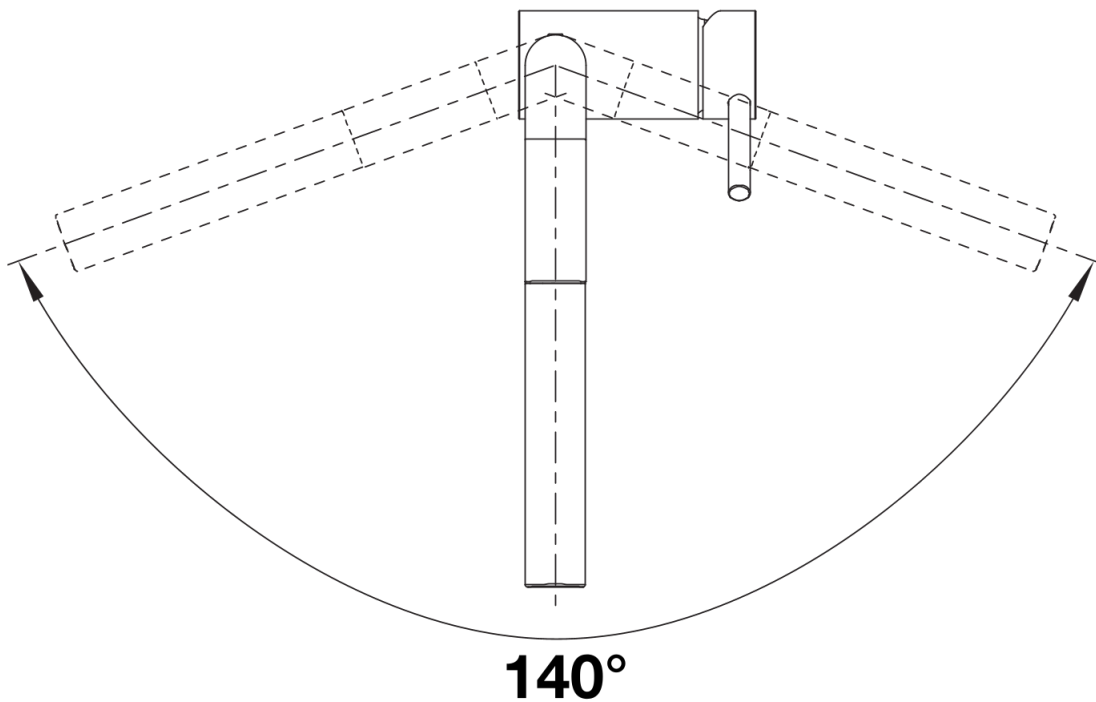
## Scope of supply

---

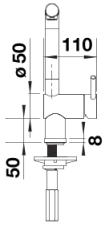
- 140° swivel spout for greater reach
- Ø 35 mm tap hole required
- With ceramic disk cartridge
- Patented jet regulator for markedly reduced scaling
- Spray made of metal
- Metal-sheathed spray hose
- BLANCO hose weight for extended reach
- Flexible connector pipes, 700 mm long and ½" nut
- Stabilisation plate to increase the stability of the tap when fitted in stainless steel sinks
- With non-return valve and thus guaranteed against reflux in accordance with EN 1717

## Details

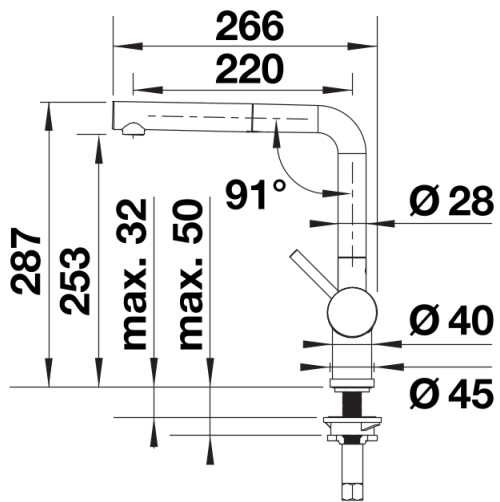
---



Swivel range



Side view hand gear 2D



Side view