

Product information sheet ALTA-S Compact

Item no. 519359

Benefits



- Slim tap in aesthetic design
- Especially suitable for compact sinks
- Extendable spray
- High-quality metal spray
- Colour version in perfect coordination with coloured SILGRANIT sinks and bowls

Colours



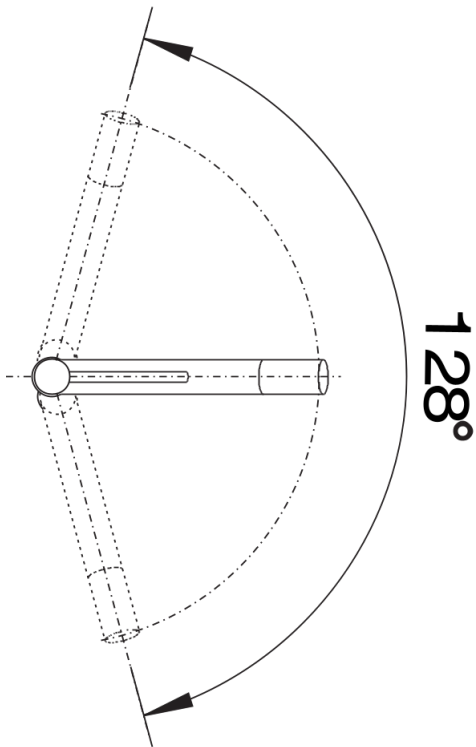
Available colours:
white/chrome
anthracite/chrome
rock grey/chrome
black/chrome

SILGRANIT Look dual finish white/chrome

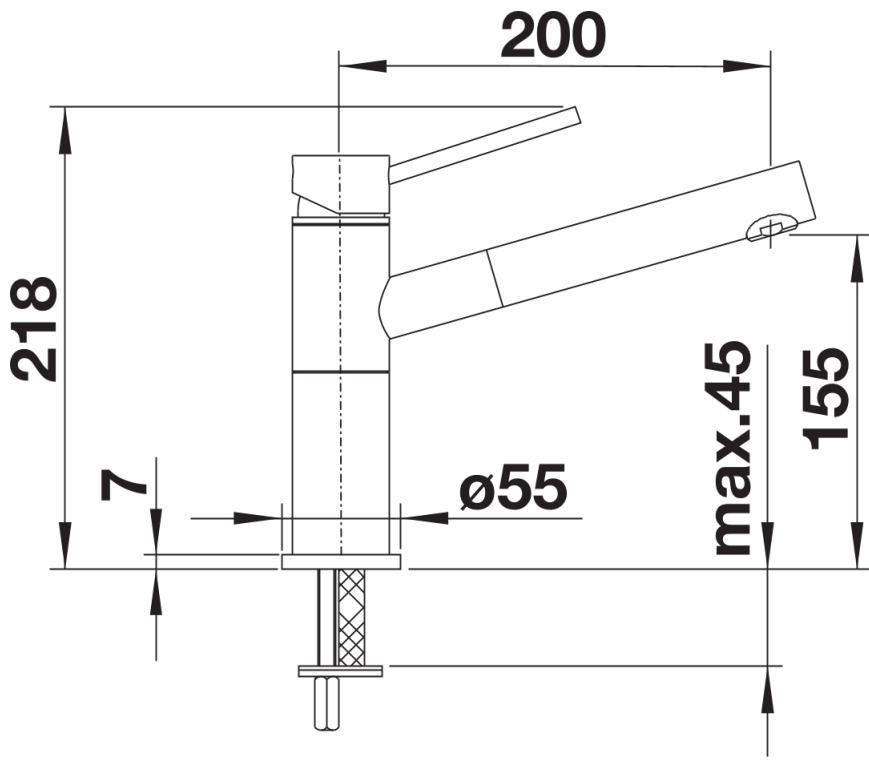
Scope of supply

- Spout can be swivelled by 128°
- Ø 35 mm tap hole required
- With ceramic disk cartridge
- Metal-sheathed spray hose
- Flexible 650 mm connector pipes and ½" nut for particularly easy and secure installation
- Patented jet regulator for markedly reduced scaling
- Stabilisation plate to increase the stability of the tap when fitted in stainless steel sinks
- With non-return valve and thus guaranteed against reflux in accordance with EN 1717

Details



Swivel range



Side view