

Product information sheet ALTA Compact

Item no. 519362

Benefits



- Slim tap in aesthetic design
- Particularly for compact sinks
- The front part of the spout can be turned, making it easier to fill bottles
- 360° swivel spout for greater reach

Colours



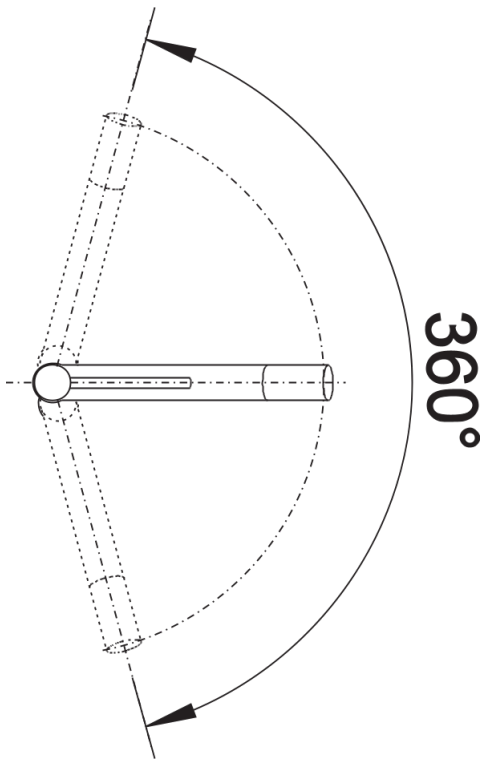
Available colours:
chrome

galvanic chrome

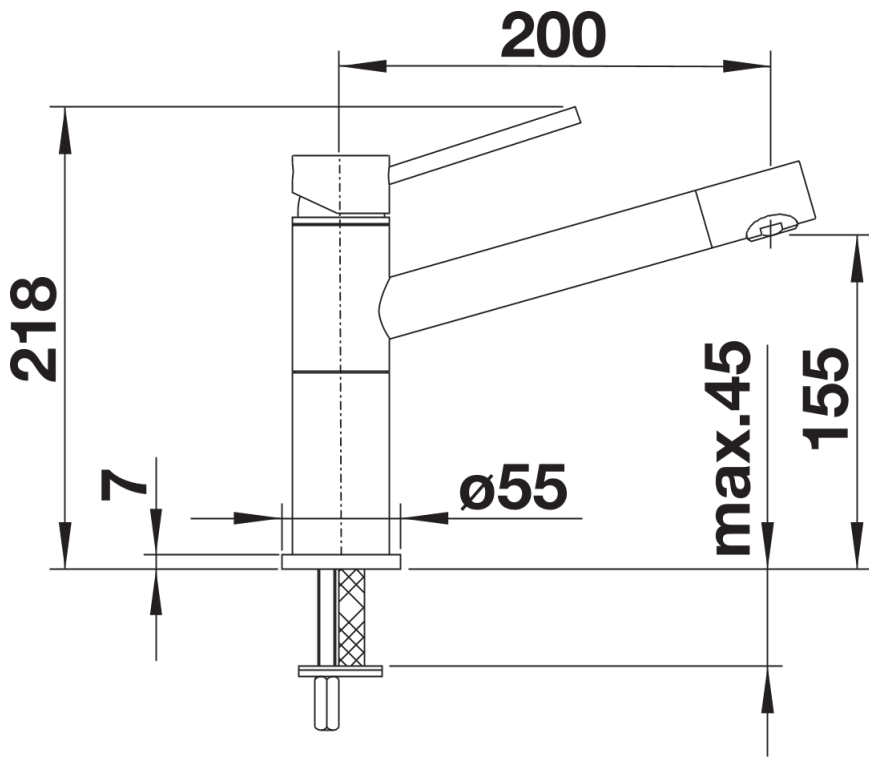
Scope of supply

- 360° swivel spout for greater reach
- Ø 35 mm tap hole required
- With ceramic disk cartridge
- Flexible 600 mm connector pipes and ½" nut for particularly easy and secure installation
- Patented jet regulator for markedly reduced scaling
- Stabilisation plate to increase the stability of the tap when fitted in stainless steel sinks

Details



Swivel range



Side view