

Product information sheet DINAS 8 S

Item no. 231047

Benefits

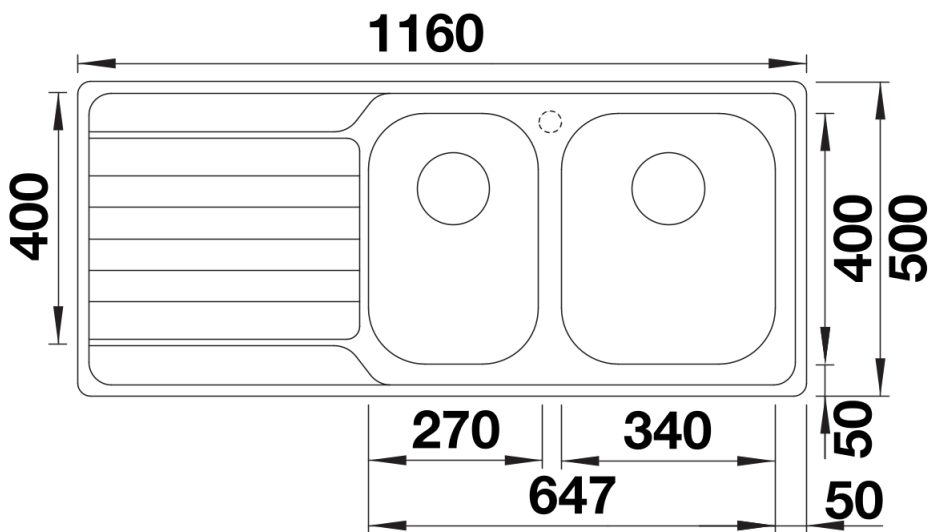


- Harmonious, timeless design
- With two roomy bowls
- Spacious draining area
- Can be installed reversibly
- 3 ½" basket strainer

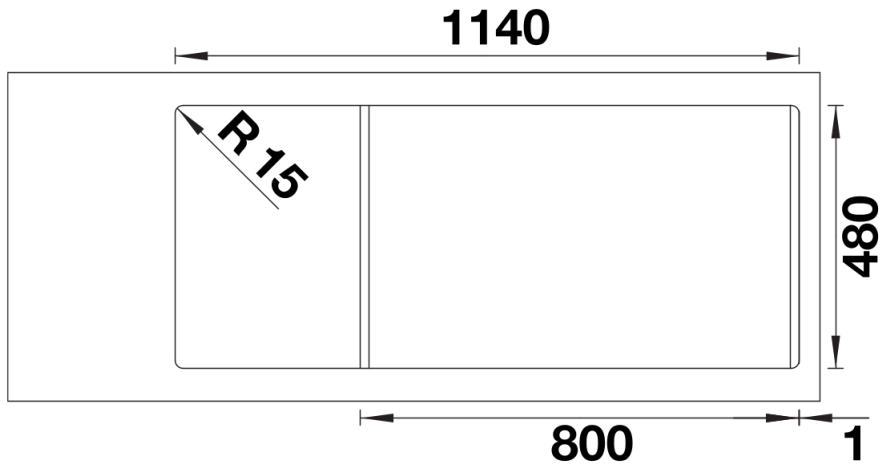
Scope of supply

- waste kit
- 3 ½" basket strainer
- seal

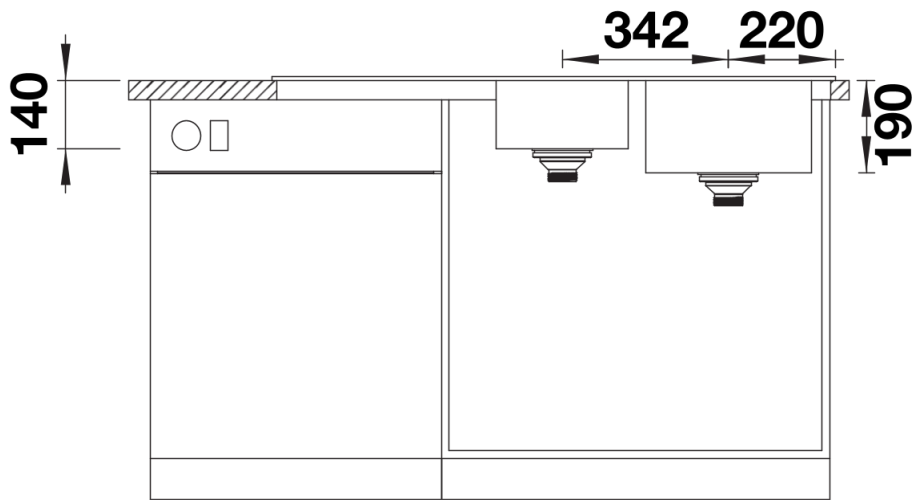
Details



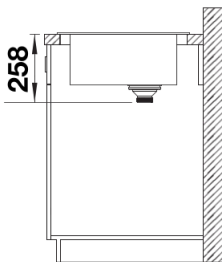
Top view



Cut-out



Front view



Side view