

## Product information sheet SUBLINE 700-U

Item no. 526865

### Benefits

---



- Undermount bowl for discerning demands on design
- Timelessly elegant, contoured bowl design
- Entire system for a wide variety of plans featuring large and small bowls
- High-quality features with covered C-overflow and InFino drain system – elegantly integrated and easy-care
- Optional versatile accessories are available

### Colours

---



Available colours:

- anthracite
- black
- white

SILGRANIT anthracite

## Planning information

---

- Cut-out radius: 10 mm

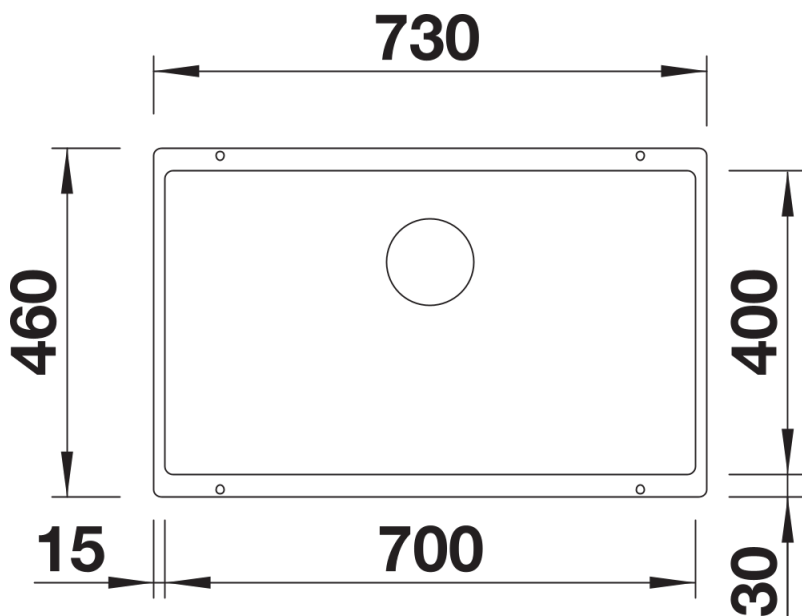
## Scope of supply

---

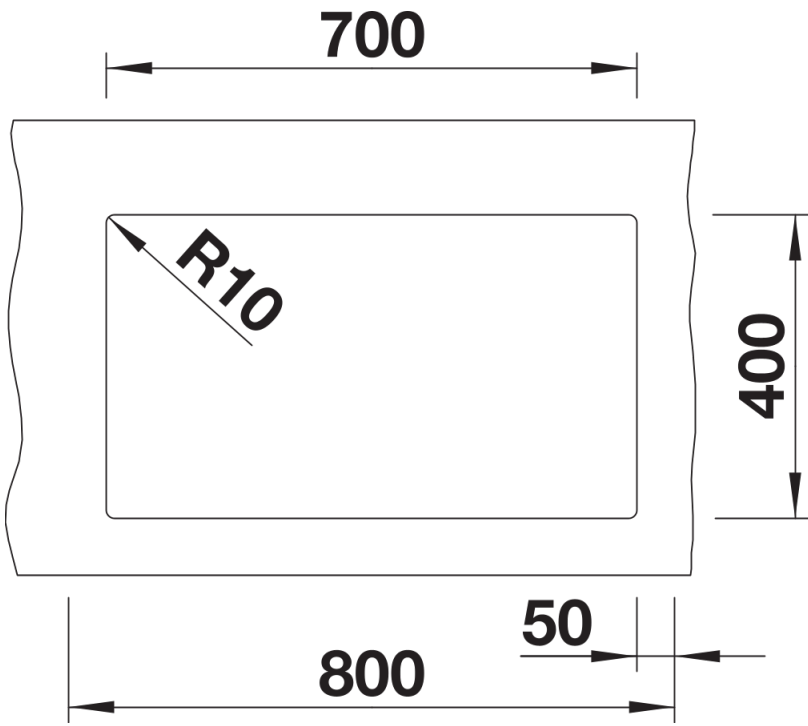
- waste kit
- 3 ½" InFino basket strainer
- fixing kit

## Details

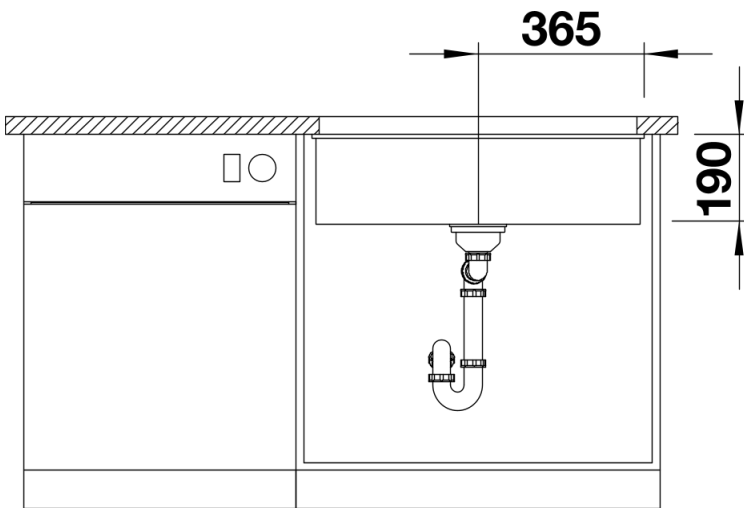
---



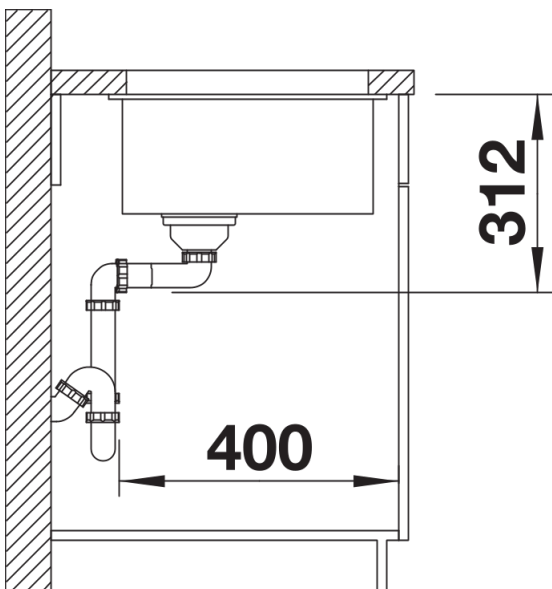
Top view



Cut-out



Front view



Side view