

Product information sheet SUPRA 340-U

Item no. 526902

Benefits

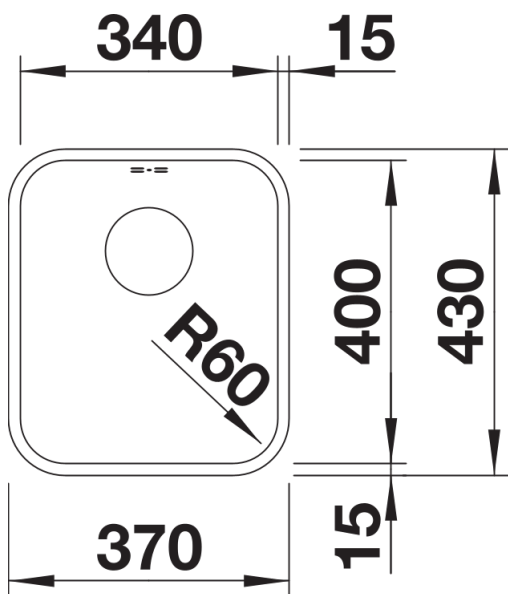


- Wide programme with various combination options
- For individual configuration of main and additional bowl, drainer and accessories
- Practical accessory optional available

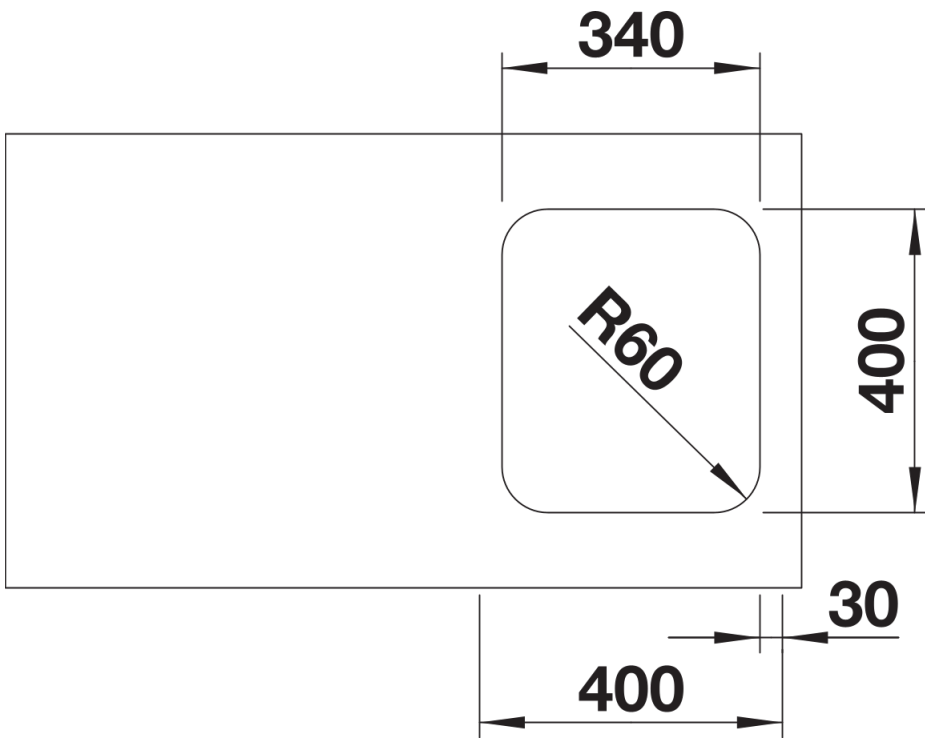
Scope of supply

- waste kit
- 3 1/2" basket strainer
- fixing kit

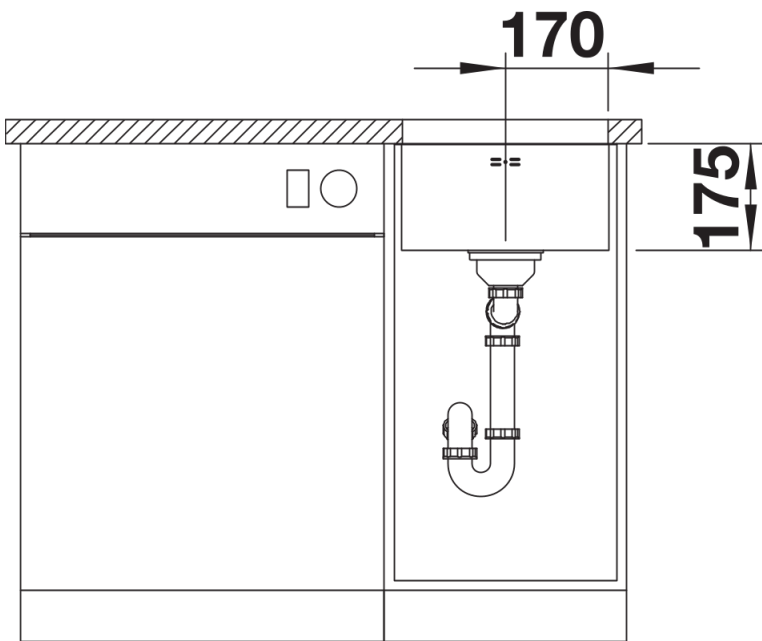
Details



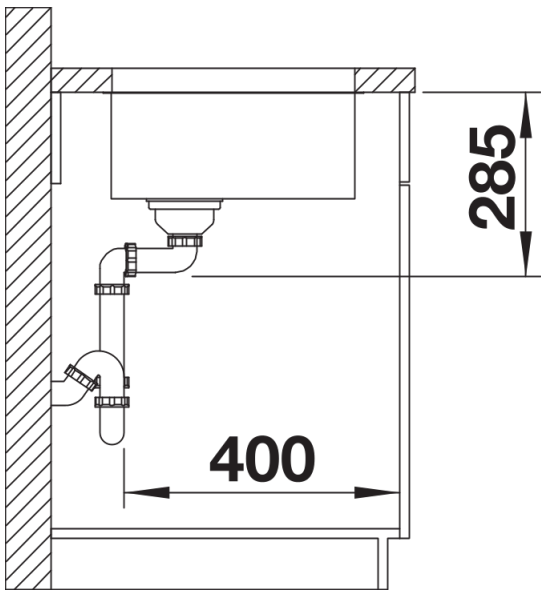
Top view



Cut-out



Front view



Side view