

## Product information sheet ALTA-S II

Item no. 527578

### Benefits

---



- Top-lever mixer tap in slim aesthetic design
- High spout for easy filling of large pots and vases
- Pull-out spray hose with dual selectable jet patterns
- 140° swivel spout for more range
- Available in Silgranit colors and chrome finish for beautiful combinations with the kitchen sink

## Colours

---



Available colours:  
chrome

galvanic chrome

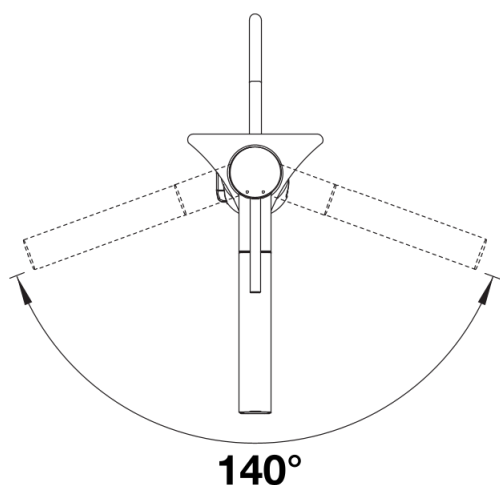
## Scope of supply

---

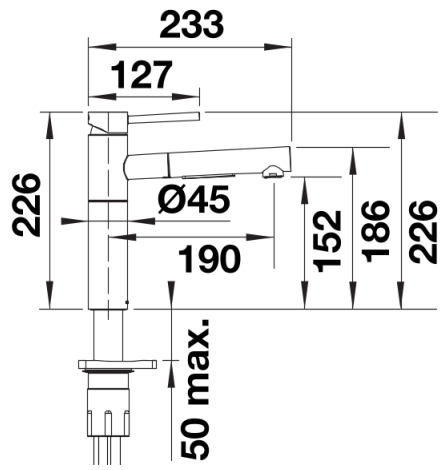
- 140° swivel spout for greater reach
- Ø 35 mm tap hole required
- With ceramic disk cartridge
- Easy and fast professional mixer tap installation with the BLANCOLock
- Flexible connection pipes, 700 mm long and  $\frac{3}{8}$ " nut for particularly easy and safe installation
- Patented jet regulator for markedly reduced scaling
- Stabilising plate to increase the stability of the tap when fitted in stainless steel sinks
- With non-return valve and thus guaranteed against reflux in accordance with EN 1717

## Details

---



## Swivel range



Side view