

Product information sheet VINTERA XL 9-UF

Item no. 527521

Benefits



- Striking sink with farmhouse flair, ideal for modern kitchen designs
- Extra-large bowl provides plenty of room
- Perfect fit: right-angled apron front fits the width of a 90 cm cabinet
- One model for flush-mount or undermount installation

Colours



Available colours:

- black
- white

SILGRANIT black

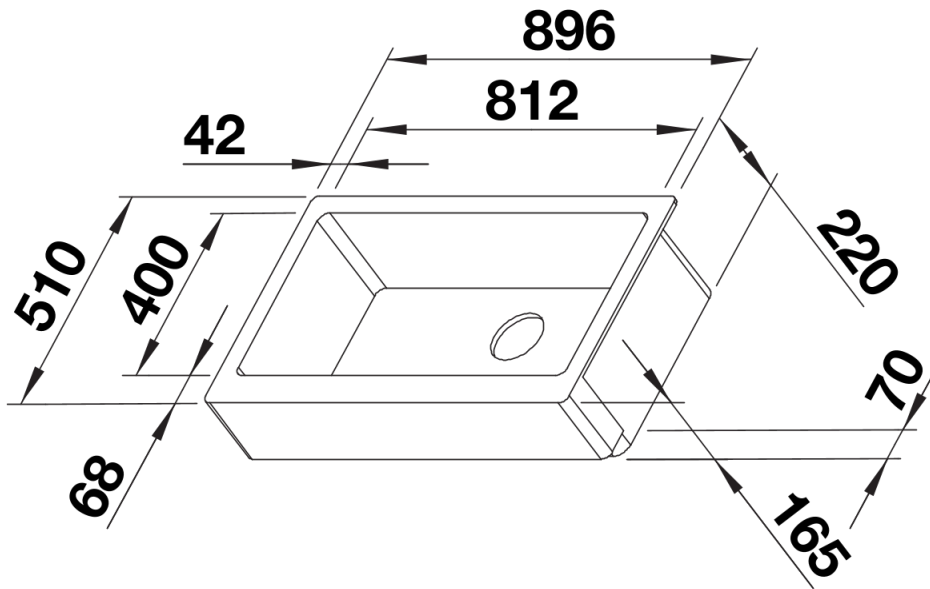
Planning information

- | | |
|---|---|
| | Please note the installation details and cut-out information for: |
| - Flushmount: https://youtu.be/CGRIPZsbQ6Y | |
| - Undermount: https://youtu.be/jB-uTpOrpCc | |

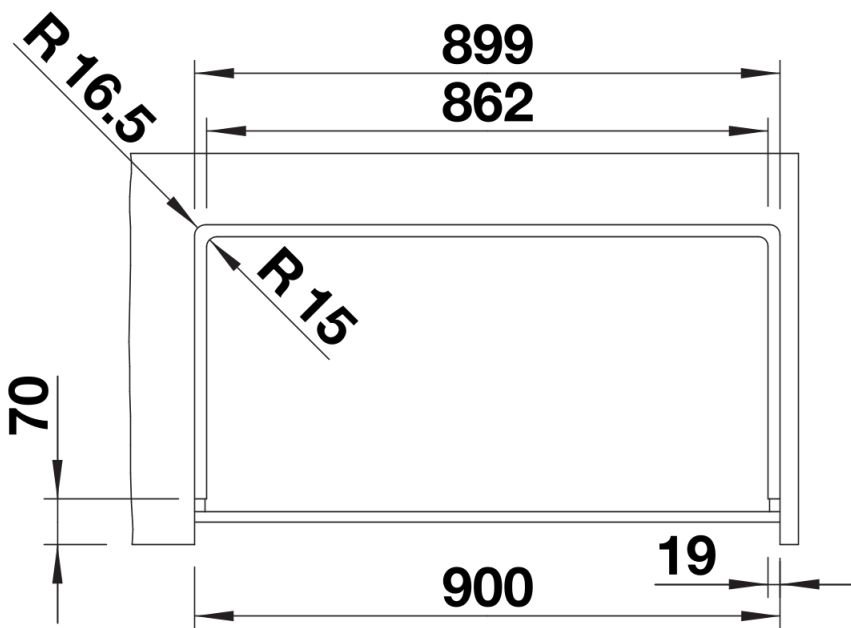
Scope of supply

- waste kit with space-saving pipe
- 3 ½" InFino basket strainer

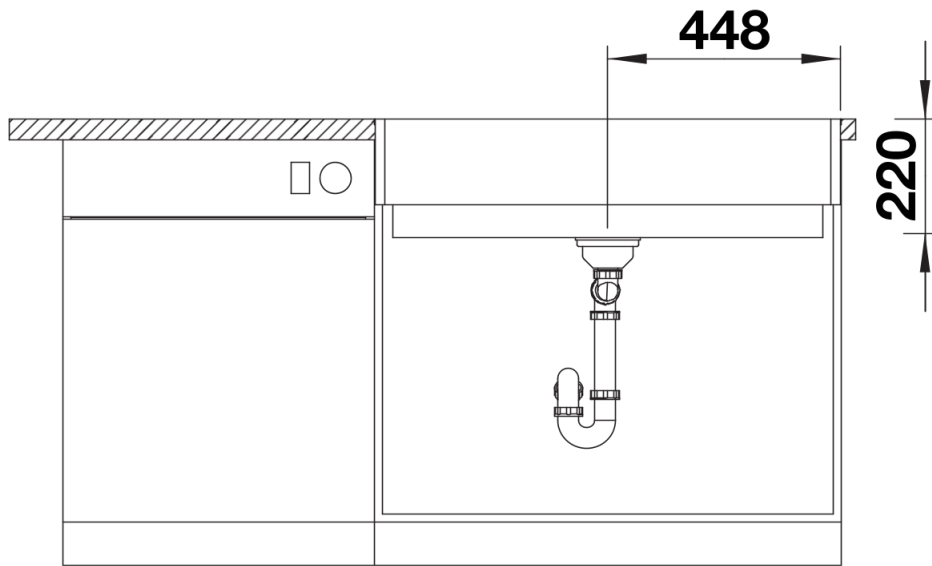
Details



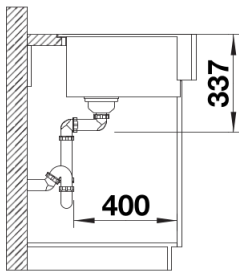
Top view



Cut-out



Front view



Side view