

## Product information sheet VINTERA XL 9-UF

Item no. 527521

### Benefits

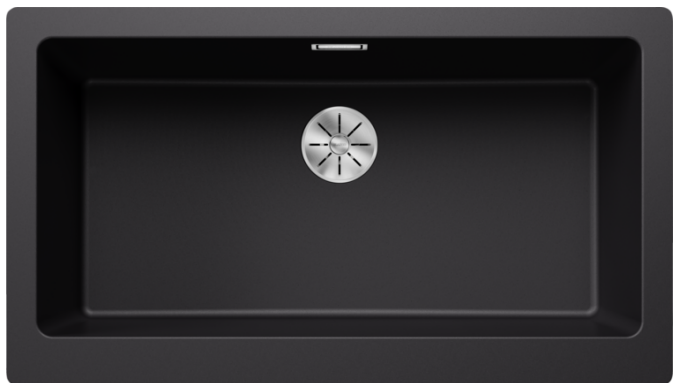
---



- Striking sink with farmhouse flair, ideal for modern kitchen designs
- Extra-large bowl provides plenty of room
- Perfect fit: right-angled apron front fits the width of a 90 cm cabinet
- One model for flush-mount or undermount installation

## Colours

---



Available colours:

black

white

SILGRANIT black

## Planning information

---

- Please note the installation details and cut-out information for:  
>Flushmount: <https://youtu.be/CGRIPZsbQ6Y>  
>Undermount: <https://youtu.be/jB-uTpOrpCc>

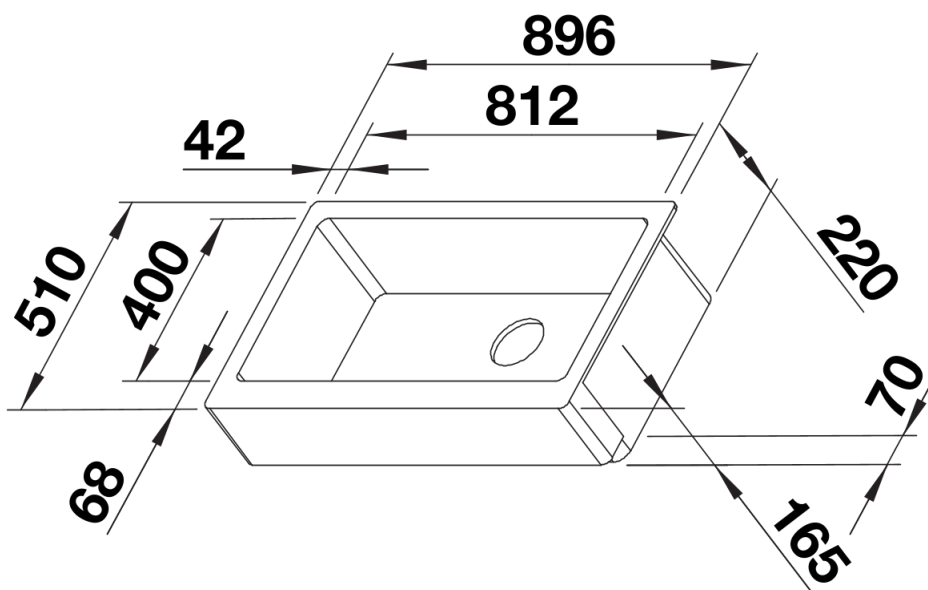
## Scope of supply

---

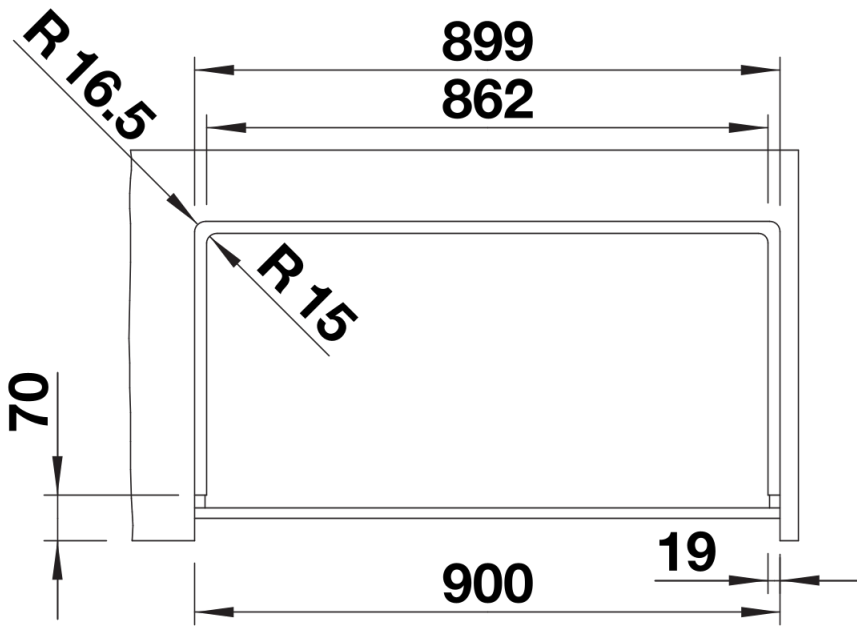
- waste kit with space-saving pipe
- 3 ½" InFino basket strainer

## Details

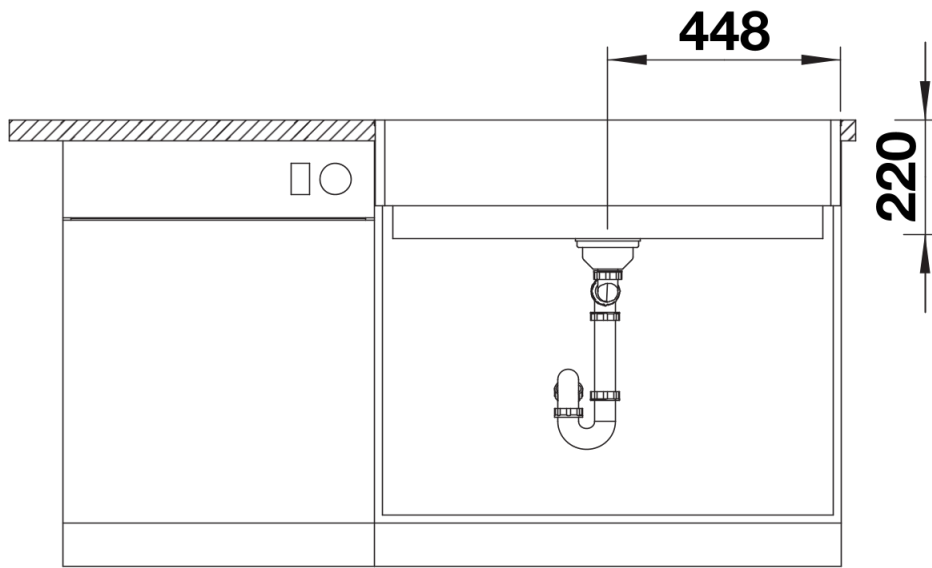
---



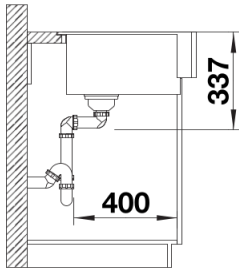
Top view



Cut-out



Front view



Side view