

Product information sheet NAYA 8 S

Item no. 526823

Benefits



- Generous bowl for multiple works in and around the sink
- Soft internal corners in the bowl for easy cleaning
- Mindful shape that integrates nicely within the kitchen design
- Continuous ledge frames the water area and protects the worktop from water splashes
- Very resistant for daily family use thanks to the qualities of the Silgranit material.

Colours



Available colours:

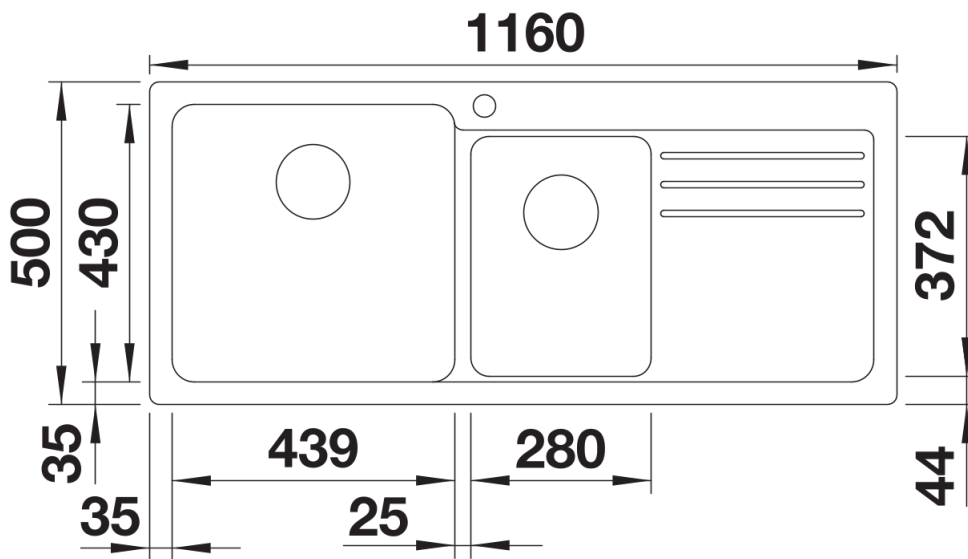
black
anthracite
rock grey
white

SILGRANIT anthracite

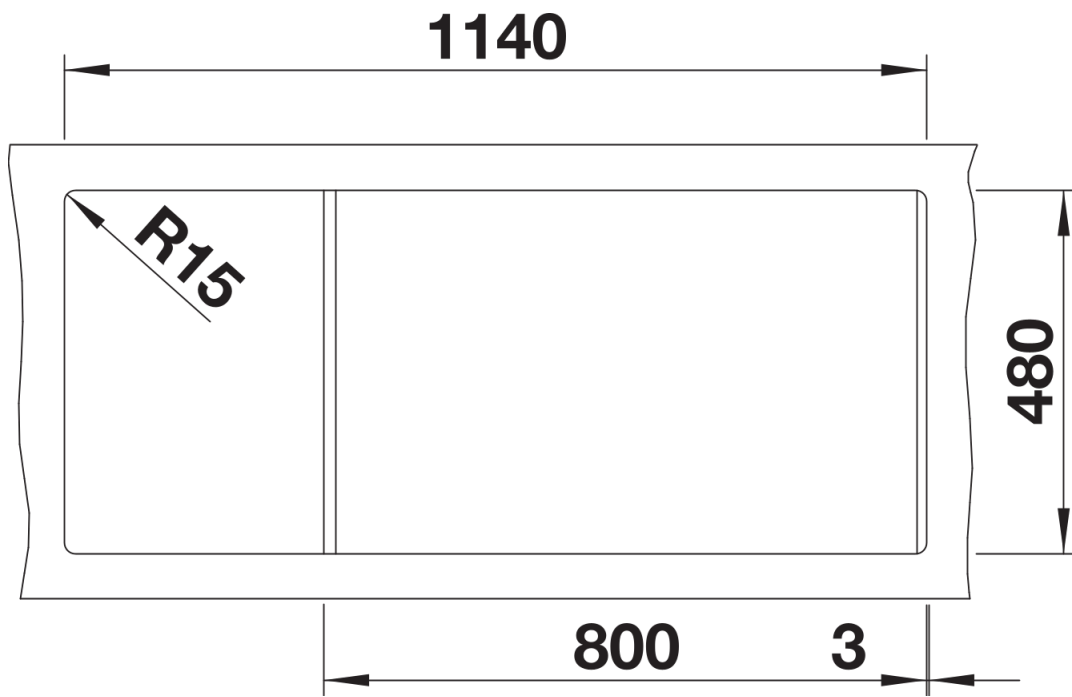
Scope of supply

- waste kit
- 2 x 3 ½" basket strainer

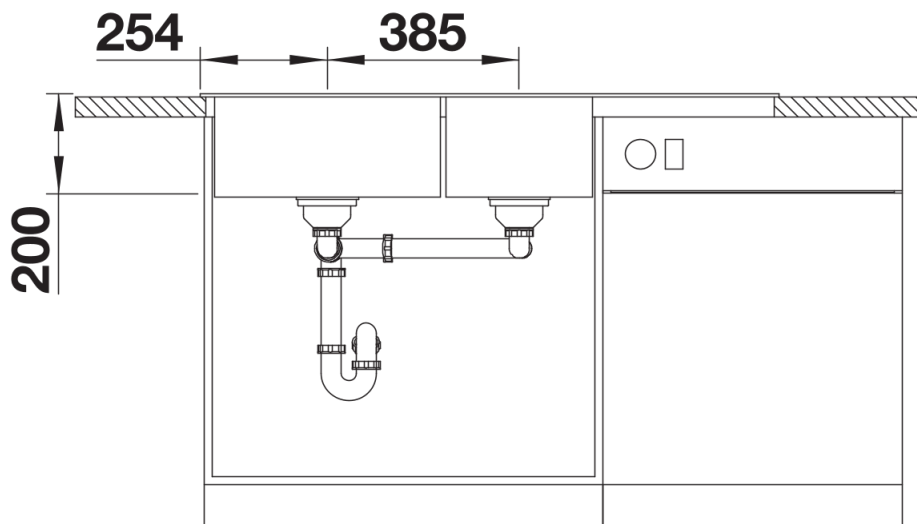
Details



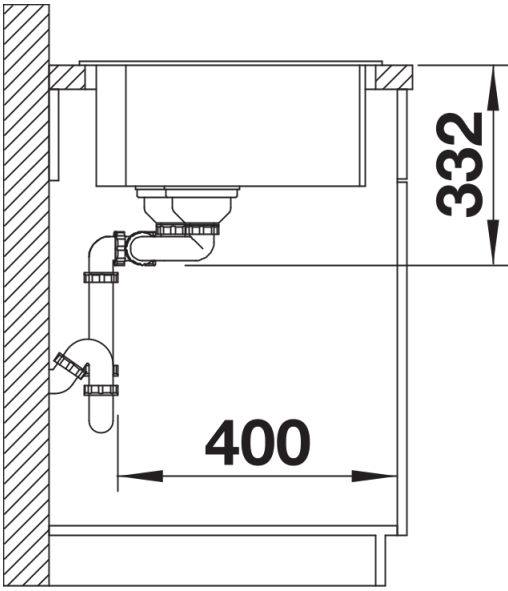
Top view



Cut-out



Front view



Side view