

## Product information sheet METRA 6 S

Item no. 528044

### Benefits

---



- Young, straight-lined design
- The large capacity of the bowl provides generous room to do the washing up
- The additional bowl and the spacious draining area provide a high degree of comfort
- Right-hand version

## Colours

---



Available colours:

black  
anthracite  
white

SILGRANIT white

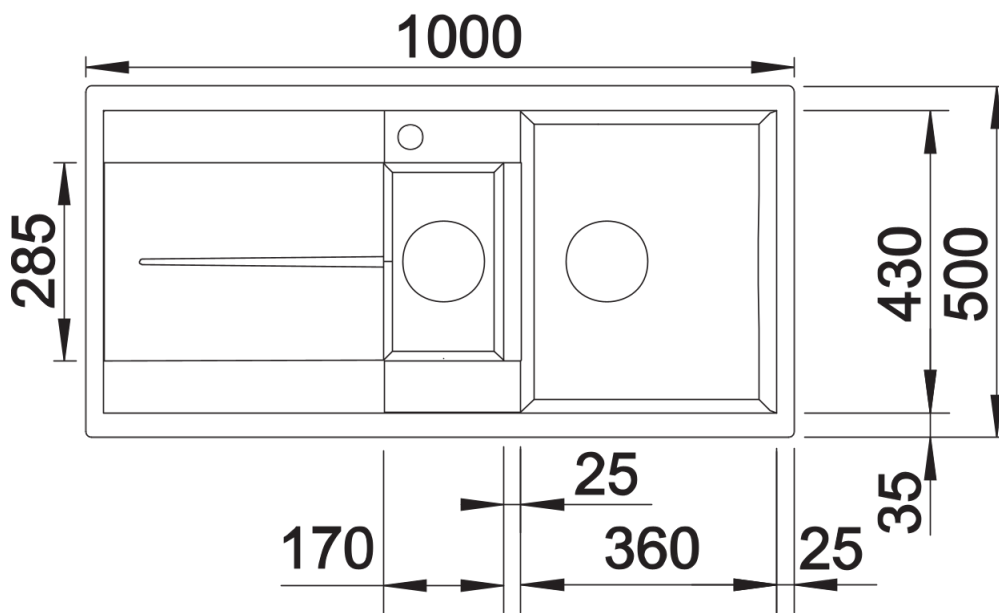
## Scope of supply

---

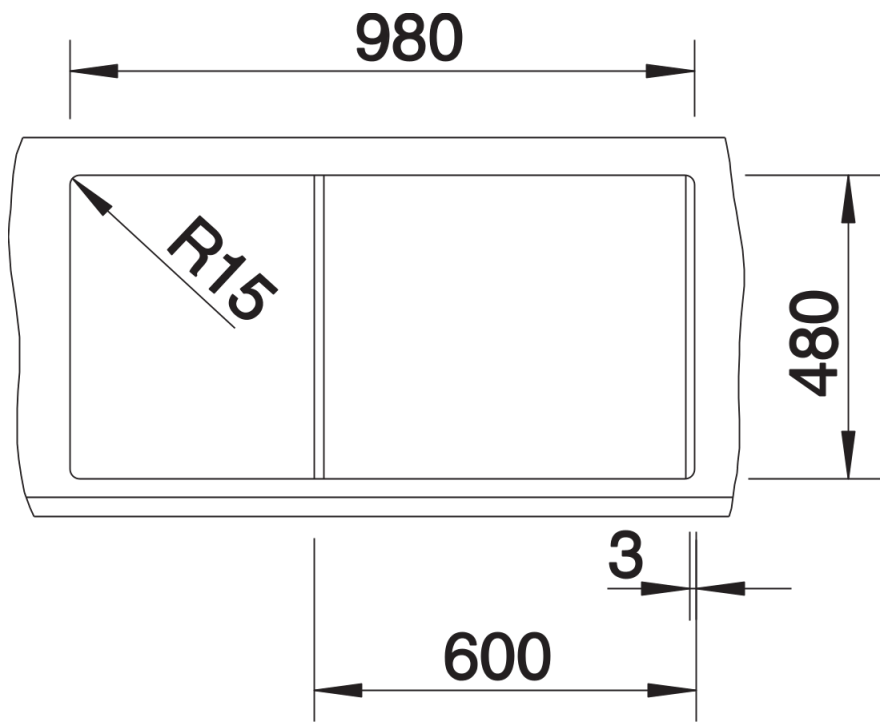
- waste kit
- 2 x 3 ½" basket strainer

## Details

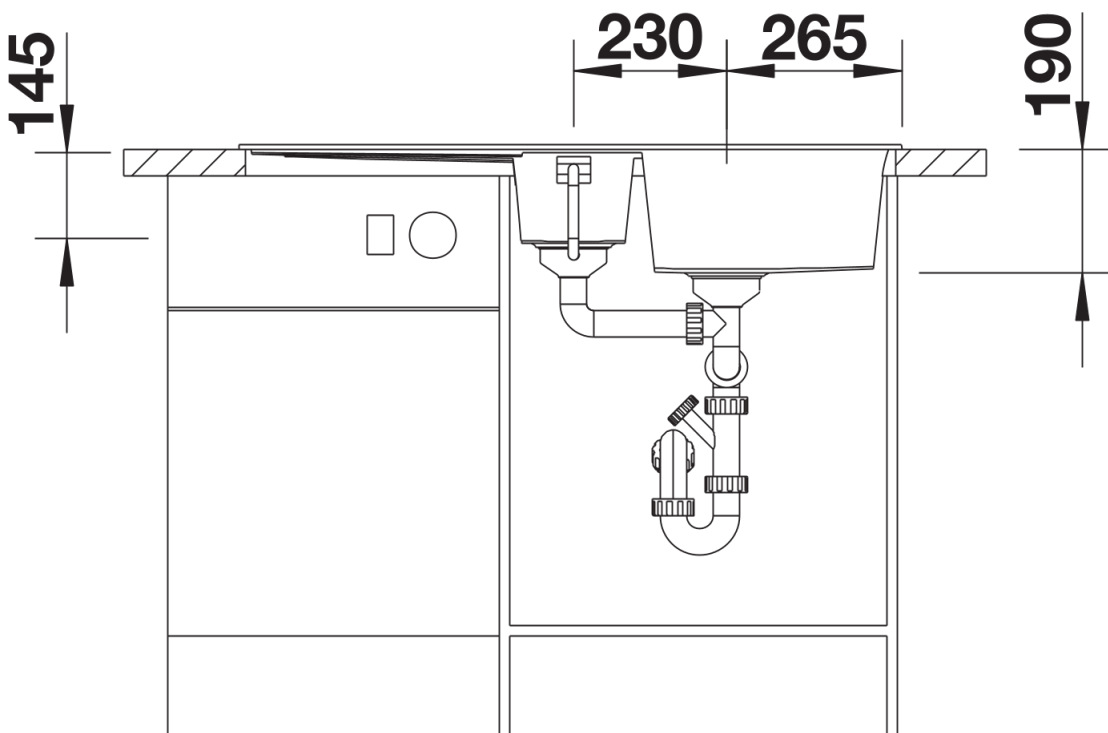
---



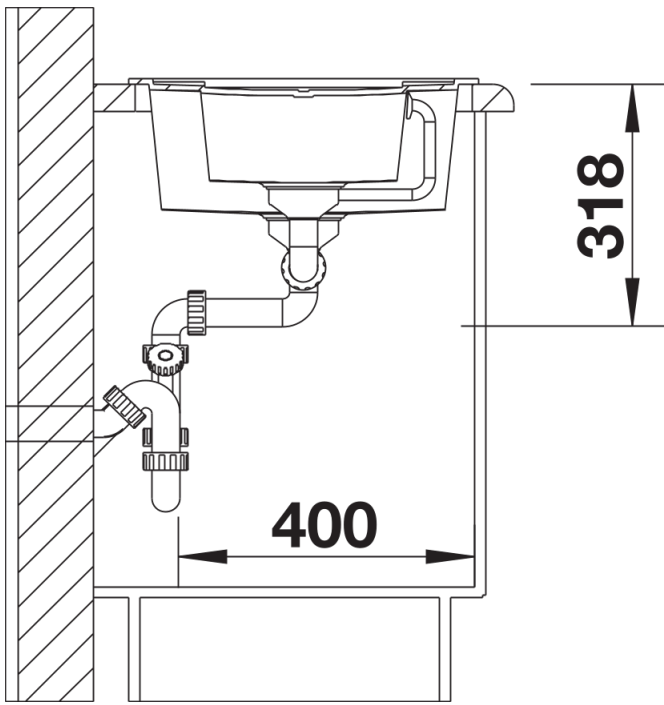
## Top view



Cut-out



Front view



Side view