

Product information sheet METRA XL 6 S

Item no. 528051

Benefits



- Young, straight-lined design
- The large capacity of the bowl provides generous room to do the washing up
- Spacious draining area provides a high degree of comfort
- Right-hand version

Colours



Available colours:

black

anthracite

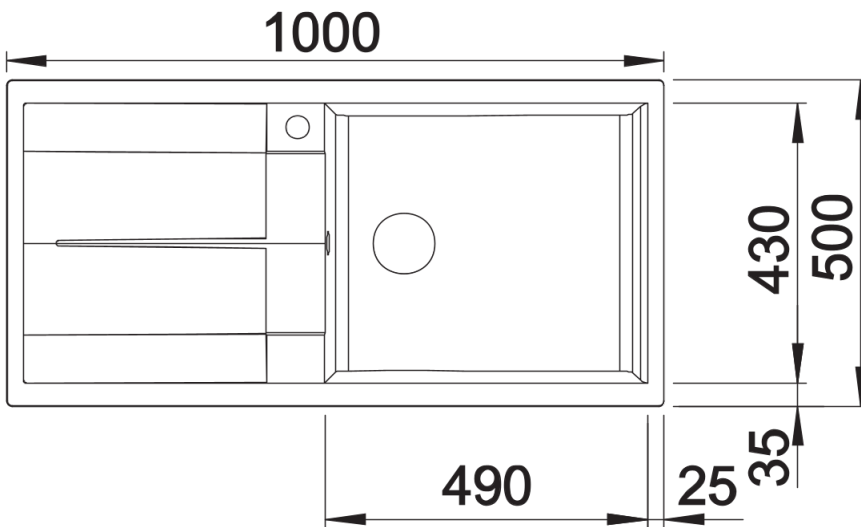
white

SILGRANIT black

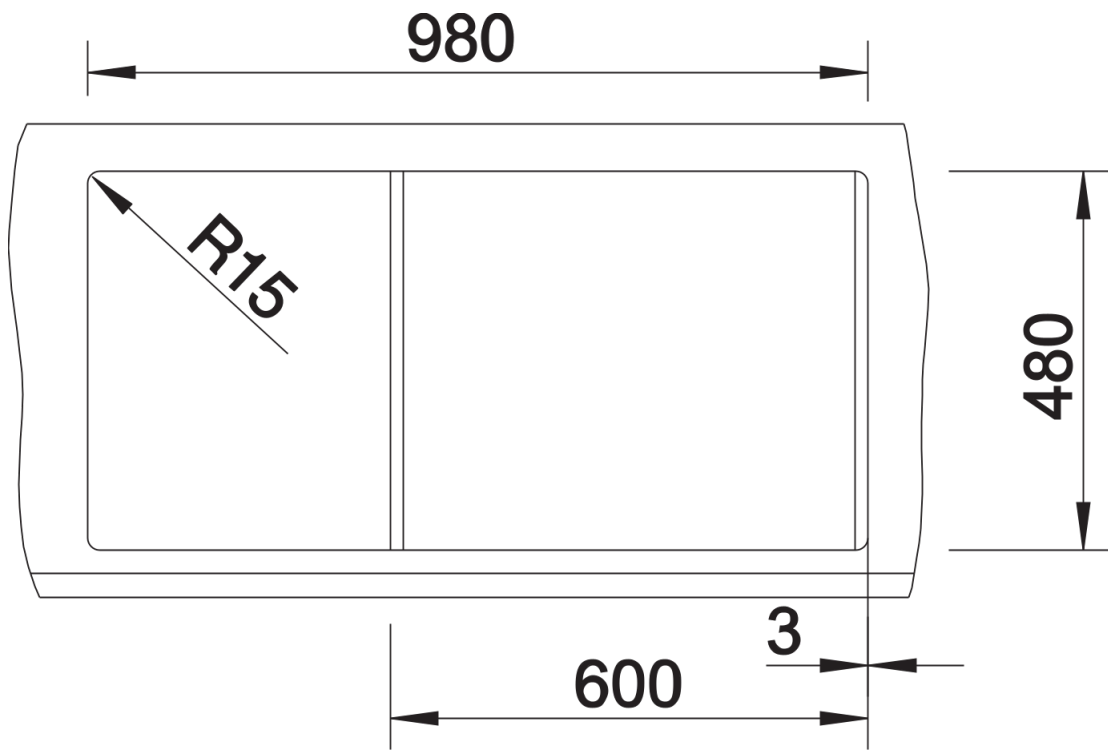
Scope of supply

- waste kit
- 3 ½" basket strainer

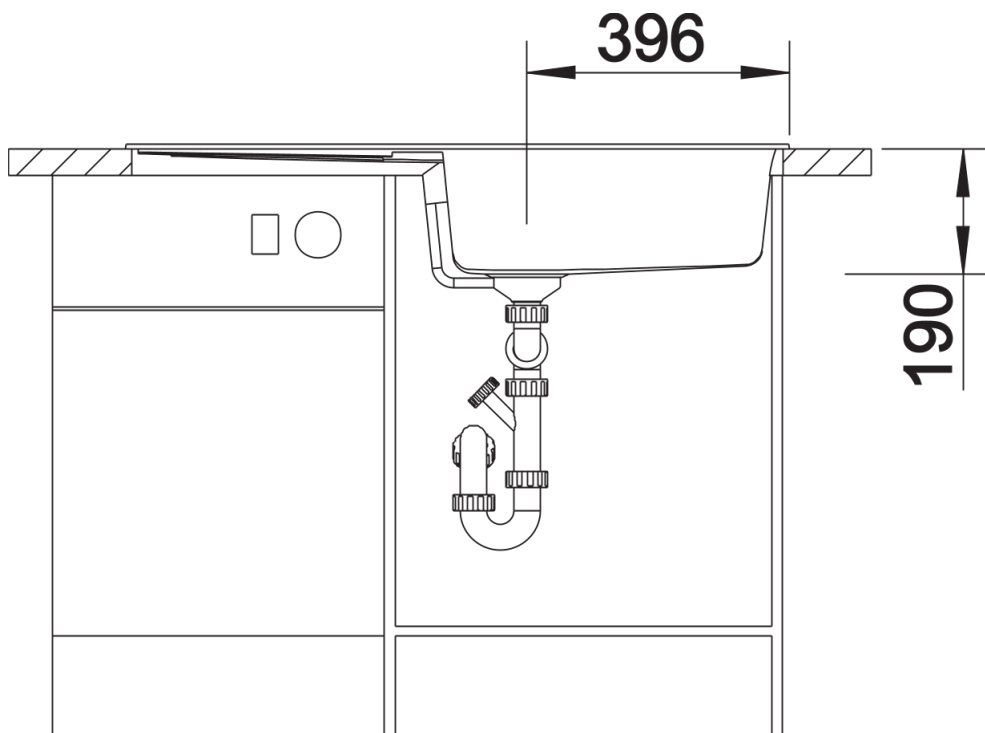
Details



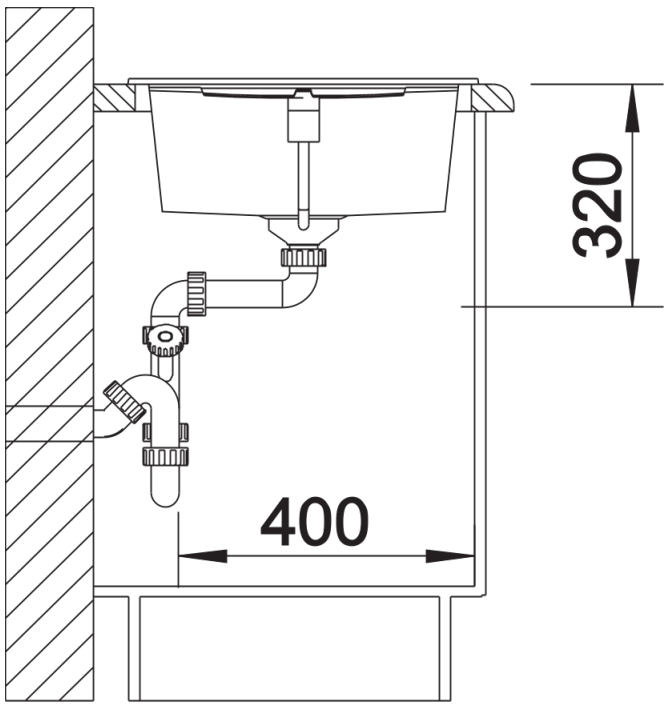
Top view



Cut-out



Front view



Side view