

Product information sheet ZIA 6 S

Item no. 528020

Benefits



- Modern design with clear lines
- Straight-lined outer contour emphasised by the narrow rim
- Characteristic tap ledge as a frame that enlarges the drainer
- Spacious main bowl for comfortable working
- Additional bowl with 3 ½" basket strainer
- Right-hand version

Colours



Available colours:

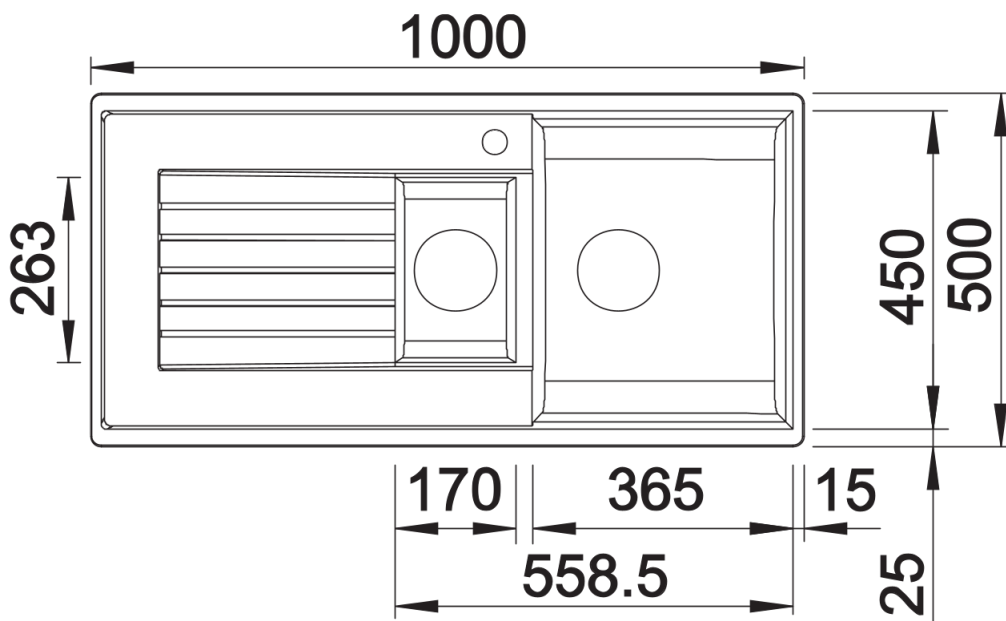
black
anthracite
white

SILGRANIT black

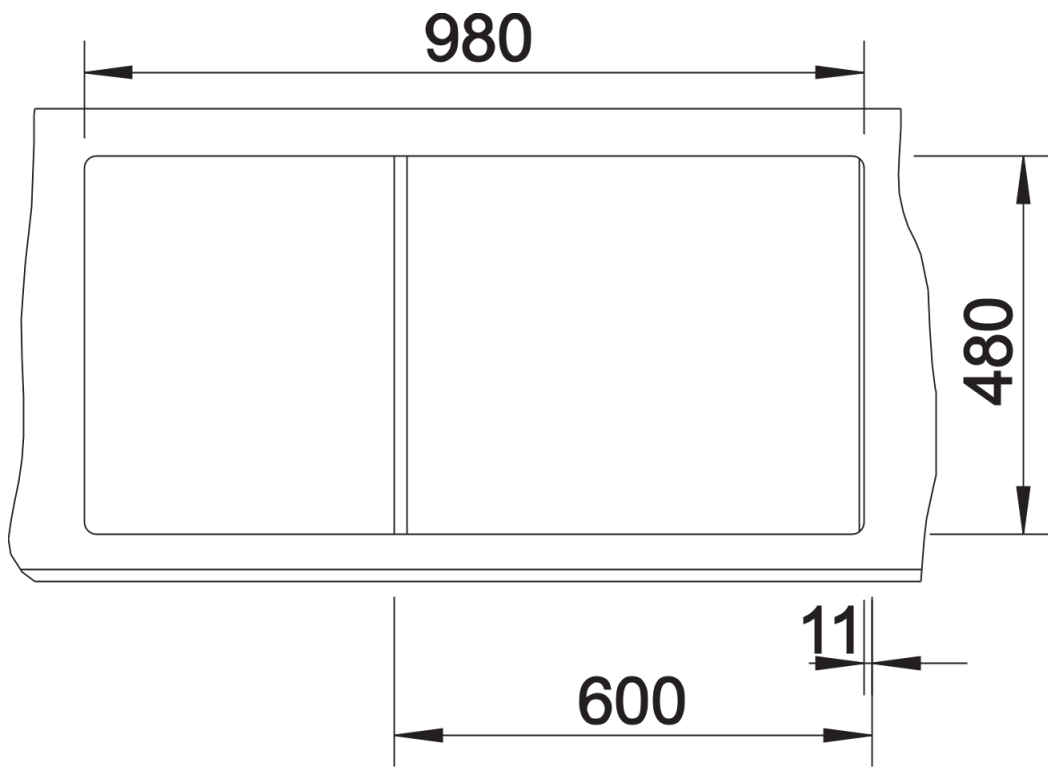
Scope of supply

- waste kit
- 2 x 3 ½" basket strainer

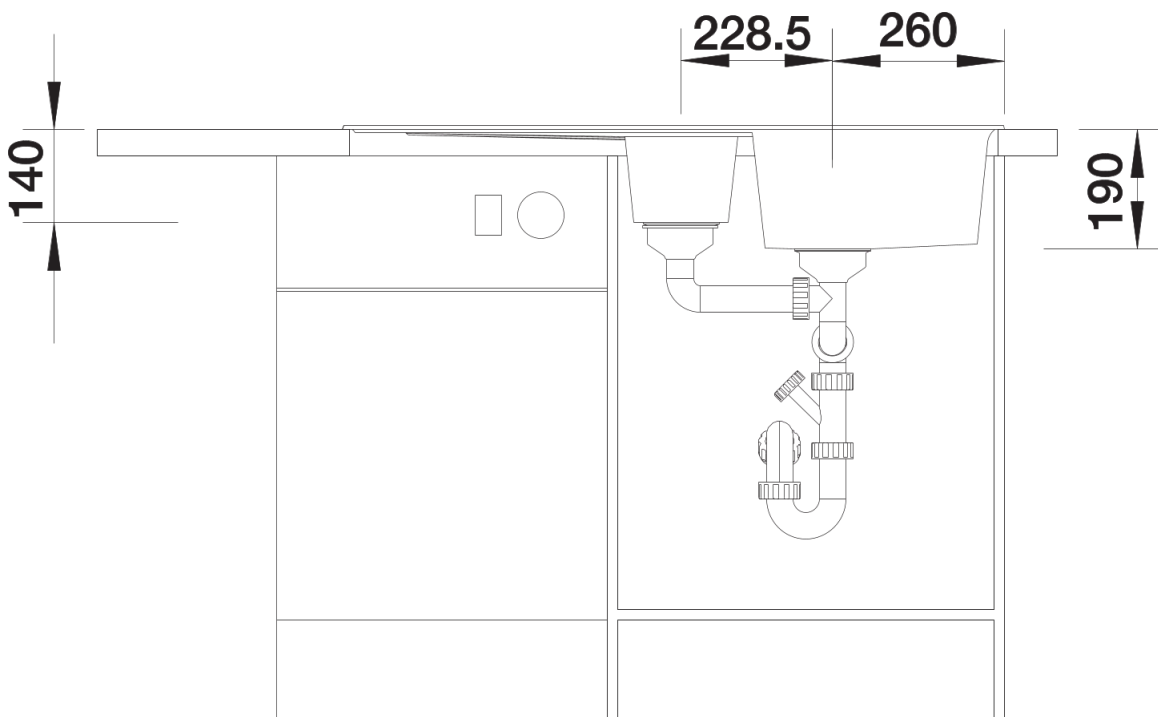
Details



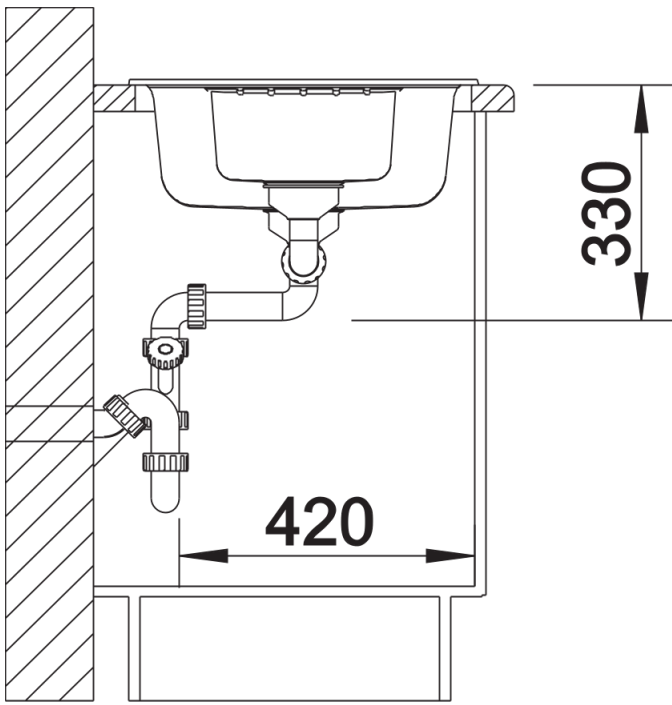
Top view



Cut-out



Front view



Side view