

BLANCO

Sink Specifications

QUATRUS U

Colour	SKU
brushed finish	402259

Design and planning tips

- Min cabinet size: 21 in (533 mm)

Specifications:

3 ½" (90 mm) stainless steel strainer(s)

Installation instructions

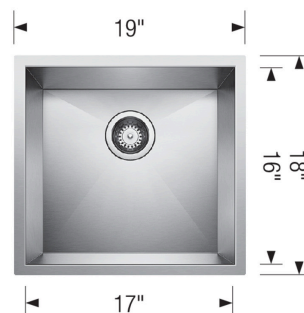
Cut-out template

Mounting clips

Limited lifetime warranty

Depending on cabinet construction, a different cabinet size may be required. Consult the cabinet manufacturer.

Codes/Standards: ASME A112.19.3-2017/ CSA B45.4-17



Optional Accessories

Ash Cutting Board	406345
CapFlow Strainer Cover	517666
Sink Grid (Large Bowl)	235971

Warranty

Limited lifetime warranty on all sinks and faucets. One-year warranty on all accessories and soap dispensers.

Code/Standards Compliance

BLANCO sinks and faucets are third-party tested and certified to CSA, cUPC, ANSI/ASME, IAPMO and NSF standards and listed by applicable certification bodies. For more information on individual product listings, contact our office or listing organization.



Need support? Learn more by watching our sink & faucet How-to videos:

<https://www.blanco.com/ca-en/support/how-to-videos/how-to-videos-for-sinks/>



BLANCO Canada Inc
100 Corporation Drive
Brampton ON L6S 6B5

Tel & Fax

Tel: 905-494-2400 Toll free: 1-877-425-2626

Fax: 905-494-2425 Toll free: 1-877-825-2626

While BLANCO strives to provide accurate information, all images and dimensions in this document are intended for reference only and are subject to change at any time without notice. This document is not intended for use as an installation guide. For technical installation details, refer to installation instructions provided with the product. BLANCO assumes no responsibility for the use of superseded or voided specifications.