

QUATRUS R15 Drop-in Super Single

Stainless steel brushed finish

Sink Specifications

| Colour | SKU |
|----------------|--------|
| brushed finish | 402612 |

Design and planning tips

- Min cabinet size: 33 in (840 mm)

Specifications:

3 ½" (90 mm) stainless steel strainer(s)

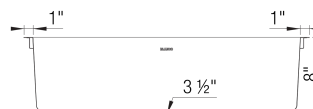
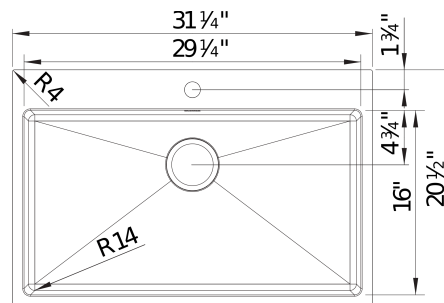
Installation Instructions

Cut-out template

Mounting clips

Limited lifetime warranty

Depending on cabinet construction, a different cabinet size may be required. Consult the cabinet manufacturer.

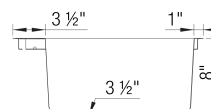


Codes & Standards

ASME A112.19.3-2017/CSA B45.4-17

Optional Accessories

| | |
|------------------------|--------|
| Sink Grid | 402125 |
| CapFlow Strainer Cover | 517666 |



Warranty

Limited lifetime warranty on all sinks and faucets. One-year warranty on all accessories and soap dispensers.

Code/Standards Compliance

BLANCO sinks and faucets are third-party tested and certified to CSA, cUPC, ANSI/ASME, IAPMO and NSF standards and listed by applicable certification bodies. For more information on individual product listings, contact our office or listing organization.



Need support? Learn more by watching our sink & faucet How-to videos:

<https://www.blanco.com/ca-en/support/how-to-videos/how-to-videos-for-sinks/>



BLANCO Canada Inc
100 Corporation Drive
Brampton ON L6S 6B5

Tel & Fax
Tel: 905-494-2400 Toll free: 1-877-425-2626
Fax: 905-494-2425 Toll free: 1-877-825-2626

While BLANCO strives to provide accurate information, all images and dimensions in this document are intended for reference only and are subject to change at any time without notice. This document is not intended for use as an installation guide. For technical installation details, refer to installation instructions provided with the product. BLANCO assumes no responsibility for the use of superseded or voided specifications.