



## Sink Specifications

## HORIZON 1.5

Colour	SKU
refined brushed finish	401014

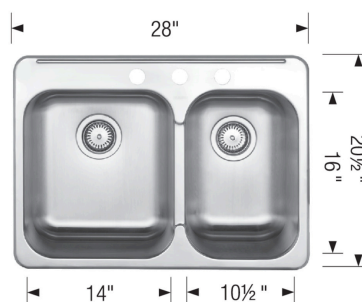
### Design and planning tips

- Min cabinet size: 30 in ( 760 mm )
- Bowl Depth: 7 in ( 178.0 mm )

#### Specifications:

Pre-installed foam gaskets, Sink template, Installation instructions and clips, 3 1/2" (90 mm) stainless steel strainer, Limited Lifetime Warranty

Depending on cabinet construction, a different cabinet size may be required. Consult the cabinet manufacturer.  
Codes/Standards: ASME A112.19.3-2017/ CSA B45.4-17



### Optional Accessories

GRID HORIZON 1.5 SB	406407
GRID HORIZON 1.5 LB	406409
CapFlow	517666

### Warranty

Limited lifetime warranty on all sinks and faucets. One-year warranty on all accessories and soap dispensers.

### Code/Standards Compliance

BLANCO sinks and faucets are third-party tested and certified to CSA, cUPC, ANSI/ASME, IAPMO and NSF standards and listed by applicable certification bodies. For more information on individual product listings, contact our office or listing organization.



Need support? Learn more by watching our sink & faucet How-to videos:

<https://www.blanco.com/ca-en/support/how-to-videos/how-to-videos-for-sinks/>



BLANCO Canada Inc  
100 Corporation Drive  
Brampton ON L6S 6B5

Tel & Fax  
Tel: 905-494-2400 Toll free: 1-877-425-2626  
Fax: 905-494-2425 Toll free: 1-877-825-2626

*While BLANCO strives to provide accurate information, all images and dimensions in this document are intended for reference only and are subject to change at any time without notice. This document is not intended for use as an installation guide. For technical installation details, refer to installation instructions provided with the product. BLANCO assumes no responsibility for the use of superseded or voided specifications.*