

Sink Specifications

Colour	SKU
Anthracite	400575

Design and planning tips

- Min cabinet size: 36 x 36 (915 mm x 915 mm)
- Bowl Depth: 7 1/2 in (190.0 mm)

Specifications:

Drop-in clips, Installation instructions, 3 1/2" (90 mm) stainless steel strainer, Limited lifetime warranty

Comes with overflow.

3 knock-out holes for accessories.

To protect from damage, this model should be shipped on a pallet.

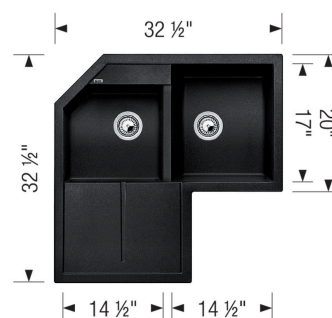
Depending on cabinet construction, a different cabinet size may be required. Consult the cabinet manufacturer.

Codes/Standards: CSA B45.8-18/ IAPMO Z403-2018

Optional Accessories

BLANCOCLEAN	406200
CapFlow	517666
Mechanical Pop-up Strainer	406244
Cutting Board	406340
Crockery Basket	406470

METRA 9 E SILGRANIT



Warranty

Limited lifetime warranty on all sinks and faucets. One-year warranty on all accessories and soap dispensers.

Code/Standards Compliance

BLANCO sinks and faucets are third-party tested and certified to CSA, cUPC, ANSI/ASME, IAPMO and NSF standards and listed by applicable certification bodies. For more information on individual product listings, contact our office or listing organization.



Need support? Learn more by watching our sink & faucet How-to videos:

<https://www.blanco.com/ca-en/support/how-to-videos/how-to-videos-for-sinks/>



BLANCO Canada Inc
100 Corporation Drive
Brampton ON L6S 6B5

Tel & Fax
Tel: 905-494-2400 Toll free: 1-877-425-2626
Fax: 905-494-2425 Toll free: 1-877-825-2626

While BLANCO strives to provide accurate information, all images and dimensions in this document are intended for reference only and are subject to change at any time without notice. This document is not intended for use as an installation guide. For technical installation details, refer to installation instructions provided with the product. BLANCO assumes no responsibility for the use of superseded or voided specifications.