

## Product information sheet ETAGON 700-IF/A

Item no. 524274

### Benefits

---



- Generous staggered bowl with added functionality
- Integrated step creates an additional functional level
- Clever bowl concept with versatile ETAGON rails
- High-quality features with drain remote control, covered C-overflow and InFino drain system - elegantly integrated and easy-care
- Available in three different installation versions: for under mount installation, IF flat rim for installation from above, IF/A-version with integrated tap ledge
- The ETAGON family of sinks are available in stainless steel, Silgranit and Ceramic material options
- ETAGON gives you a time-saving, space saving, creative hub at the heart of your kitchen

## Planning information

---

- Cut out size: Template provided with sink, Universal handing

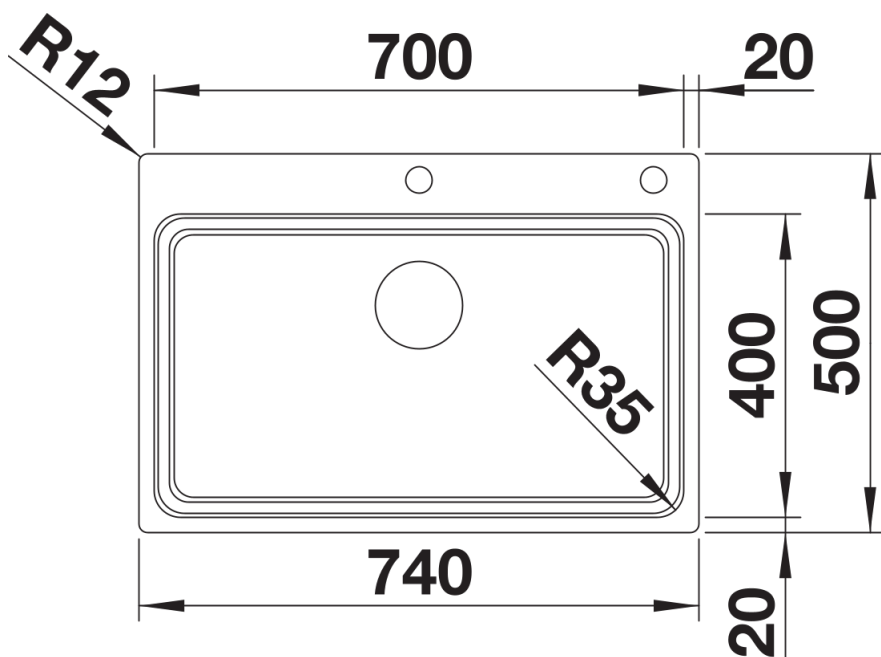
## Scope of supply

---

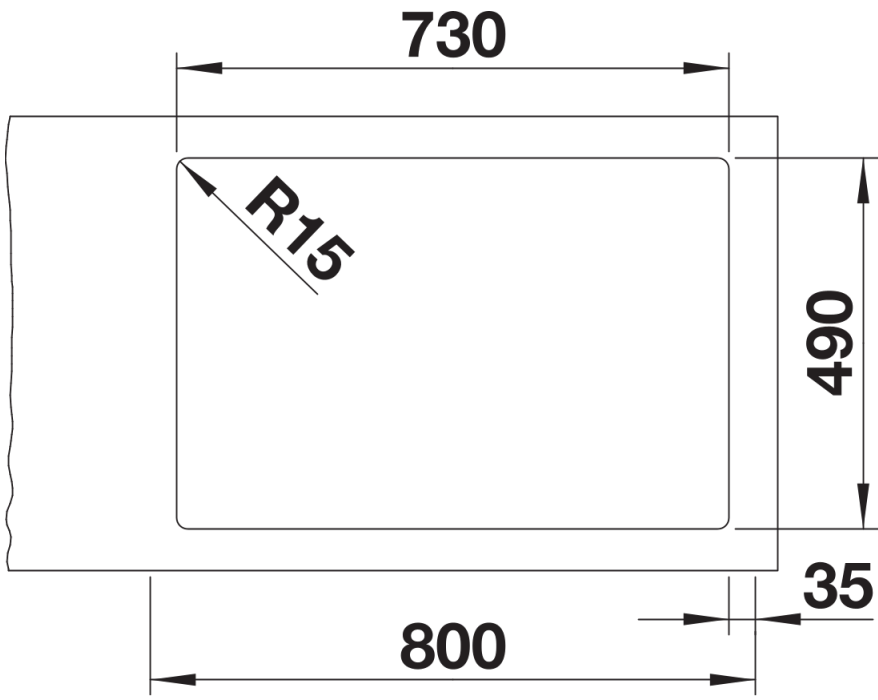
With ETAGON rails in stainless steel, waste fitting with space-saving pipe, 3 ½" InFino basket strainer

## Details

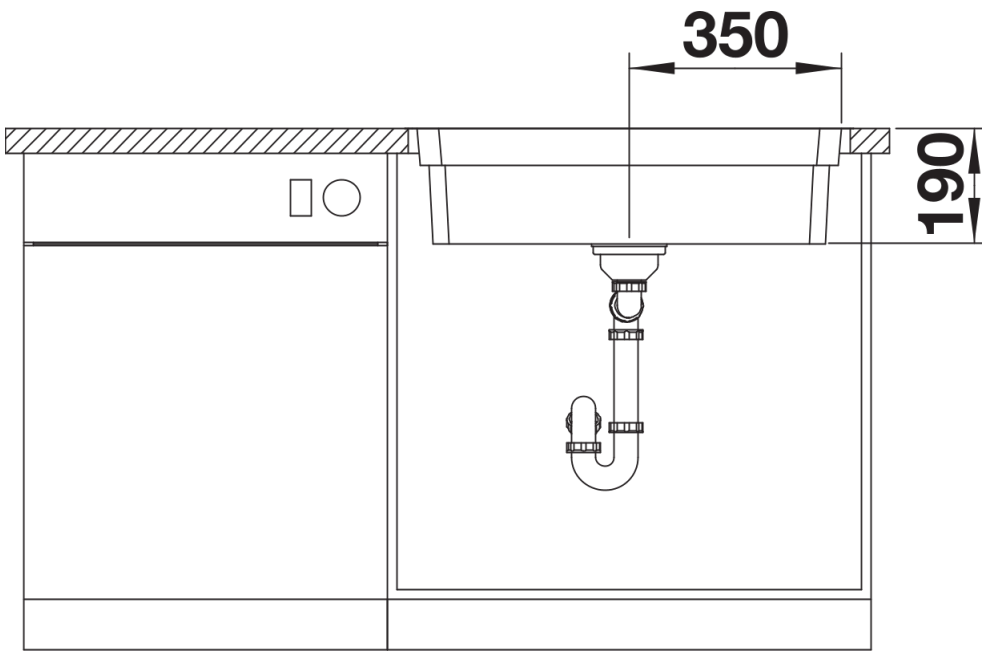
---



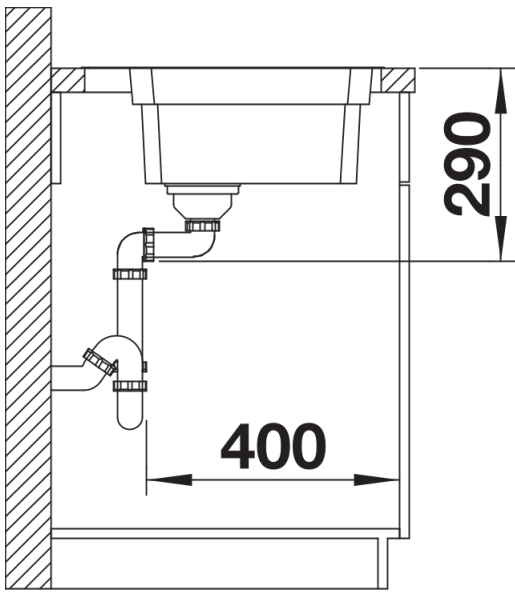
Top view



Cut-out



Front view



Side view