

Product information sheet ELON 45 S

Item no. 524833

Benefits



- Highly functional sink despite its compact dimensions. Ideal for smaller kitchens
- Striking modern wave shape drainer design
- Shortened drainer offers additional kitchen space without the need for a complete drainer
- Includes a moveable stainless steel drainer grid: position over the sink or on the drainer
- Elegant InFino strainer for swift water drainage
- Reversible installation

Colours



Available colours:

black
anthracite
rock grey
volcano grey
white
soft white
tartufo
coffee

SILGRANIT coffee

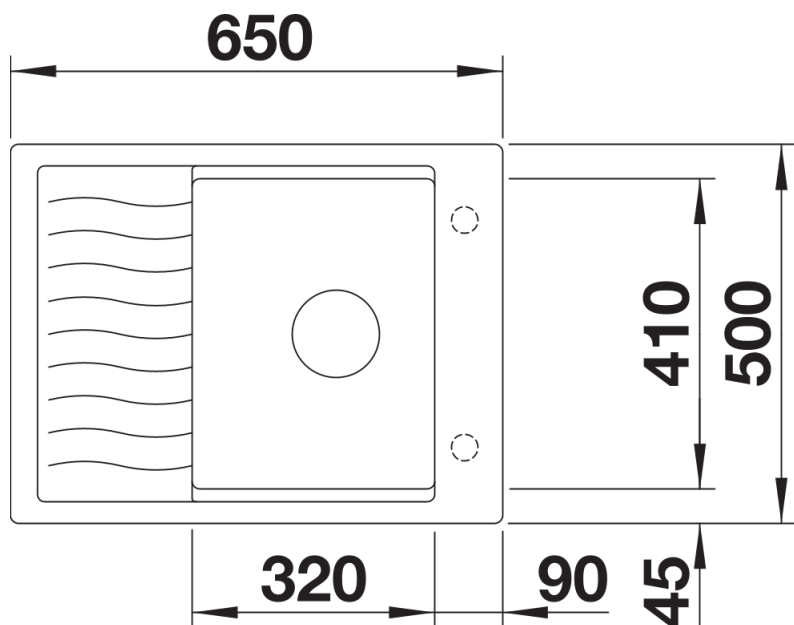
Planning information

- Cut out: 630 x 480 x R15, Universal handing

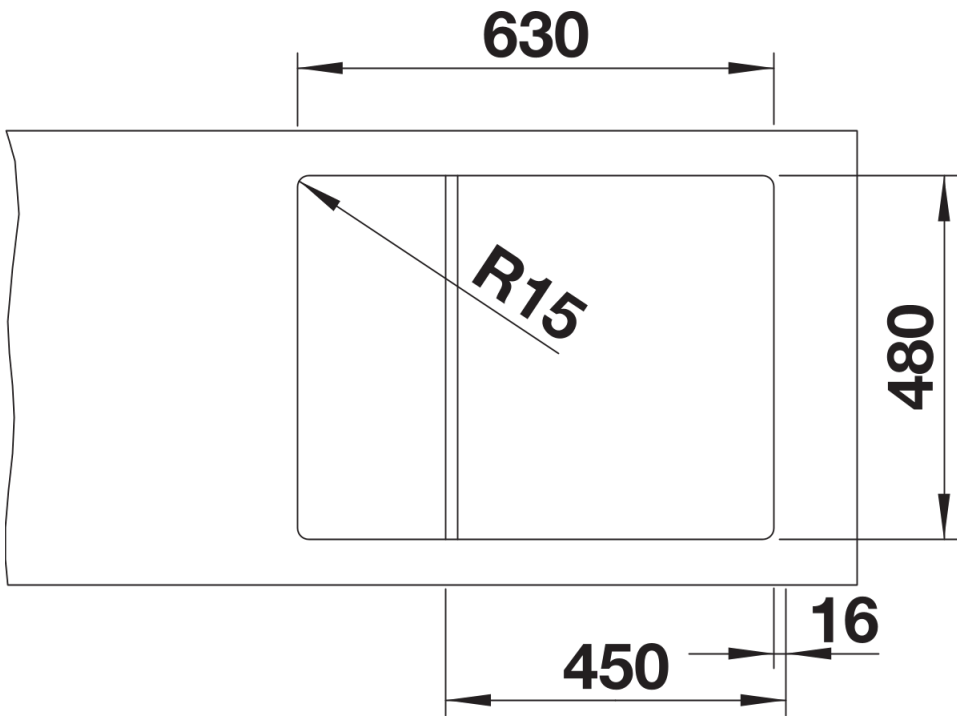
Scope of supply

- Stainless steel drainer grid
- waste fitting with space-saving pipe
- 3 ½" InFino basket strainer

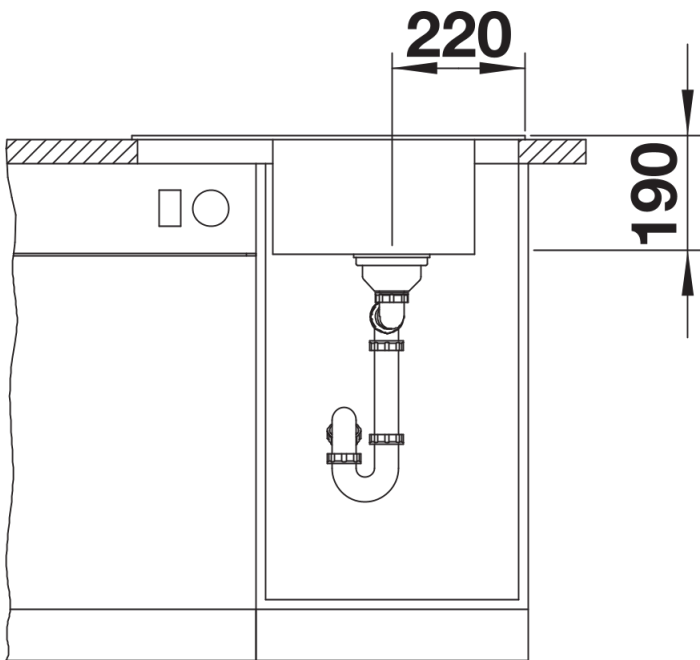
Details



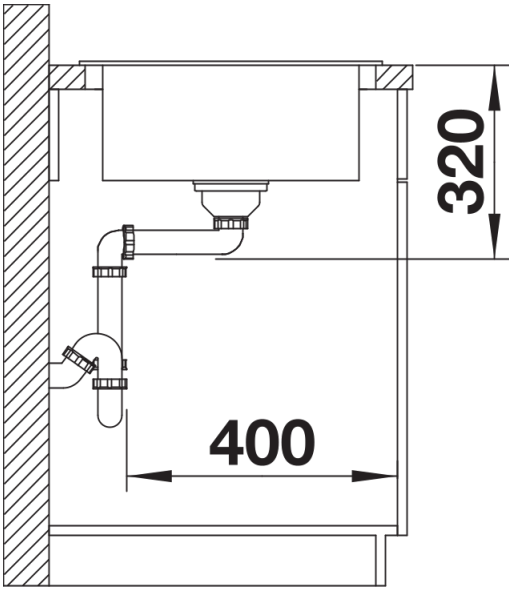
Top view



Cut-out



Front view



Side view