

## Product information sheet ELON 45 S

Item no. 527250

### Benefits

---



- Highly functional sink despite its compact dimensions. Ideal for smaller kitchens
- Striking modern wave shape drainer design
- Shortened drainer offers additional kitchen space without the need for a complete drainer
- Includes a moveable stainless steel drainer grid: position over the sink or on the drainer
- Elegant InFino strainer for swift water drainage
- Reversible installation

## Colours

---



Available colours:

black  
anthracite  
rock grey  
volcano grey  
white  
soft white  
tartufo  
coffee

SILGRANIT volcano grey

## Planning information

---

- Cut out: 630 x 480 x R15, Universal handing

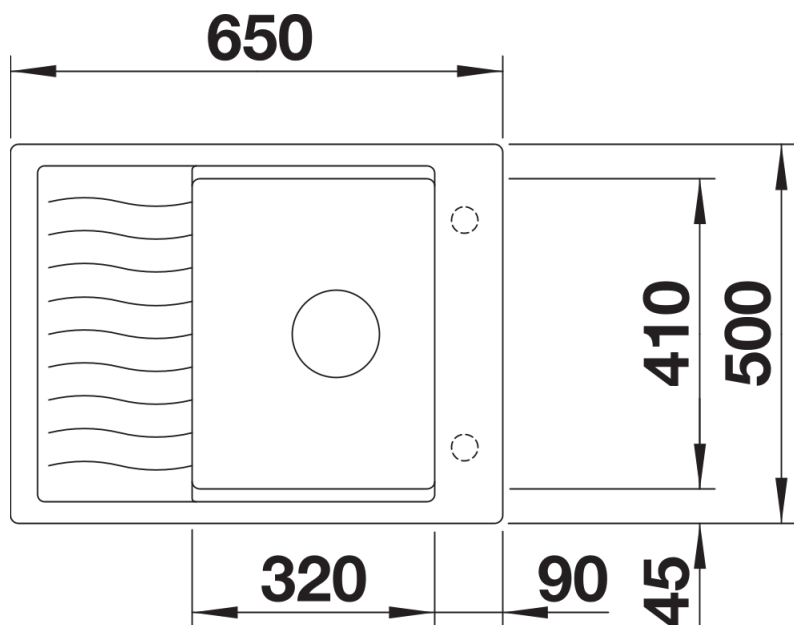
## Scope of supply

---

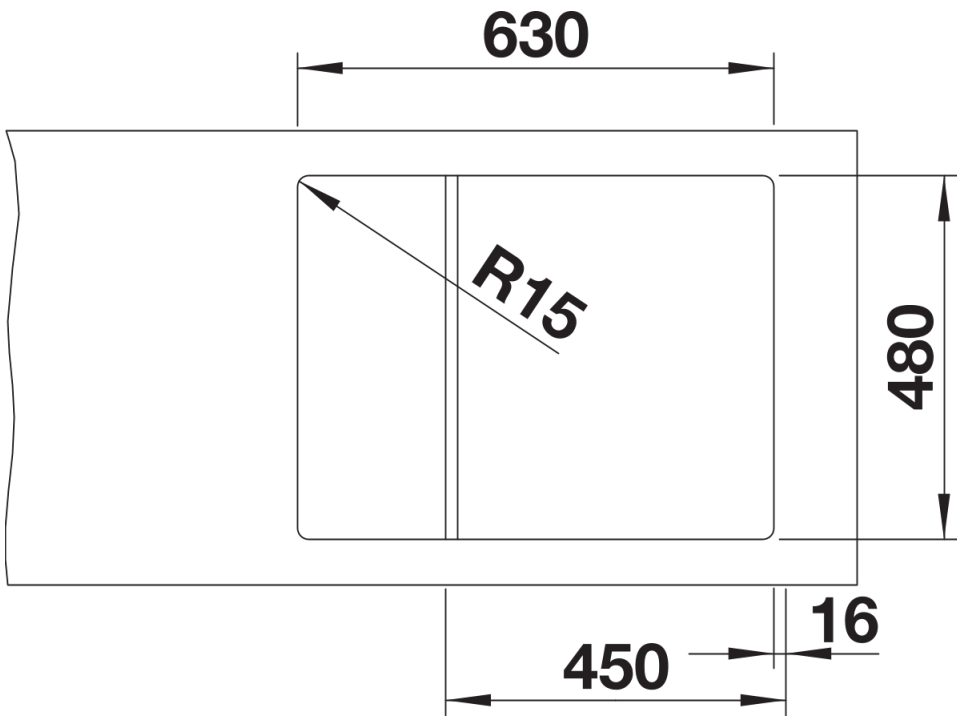
- Stainless steel drainer grid
- waste fitting with space-saving pipe
- 3 ½" InFino basket strainer

## Details

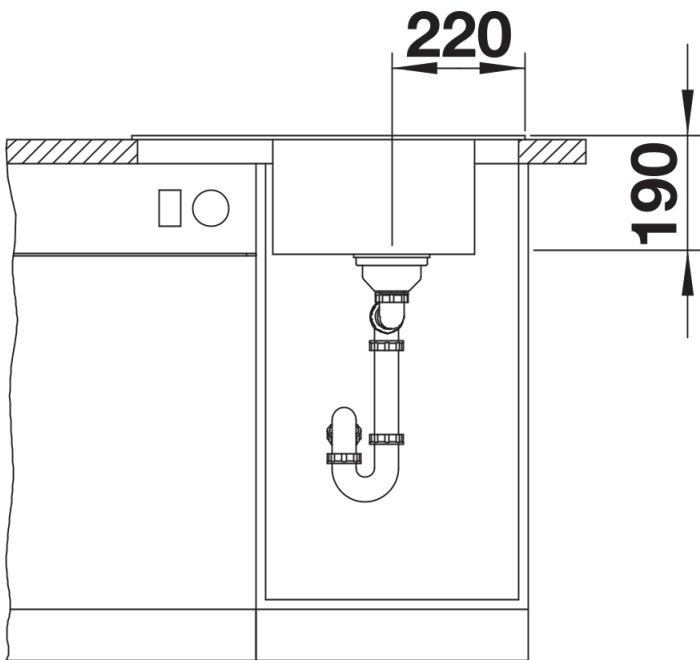
---



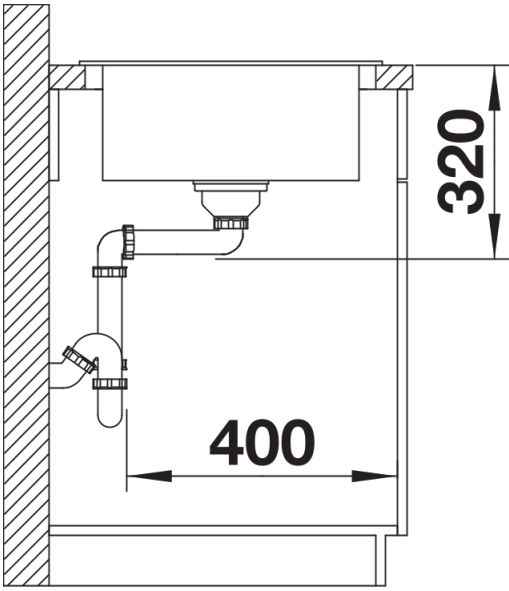
Top view



Cut-out



Front view



Side view