

## Product information sheet VIU-S

Item no. 524813

### Benefits

---



- Compact semi-professional style mixer tap
- Compact and modern tap with flexible shower hose
- Convenient and safe docking of the spray hose
- Replaceable hose cover in four accent colours

### Colours

---



Available colours:

chrome

galvanic chrome

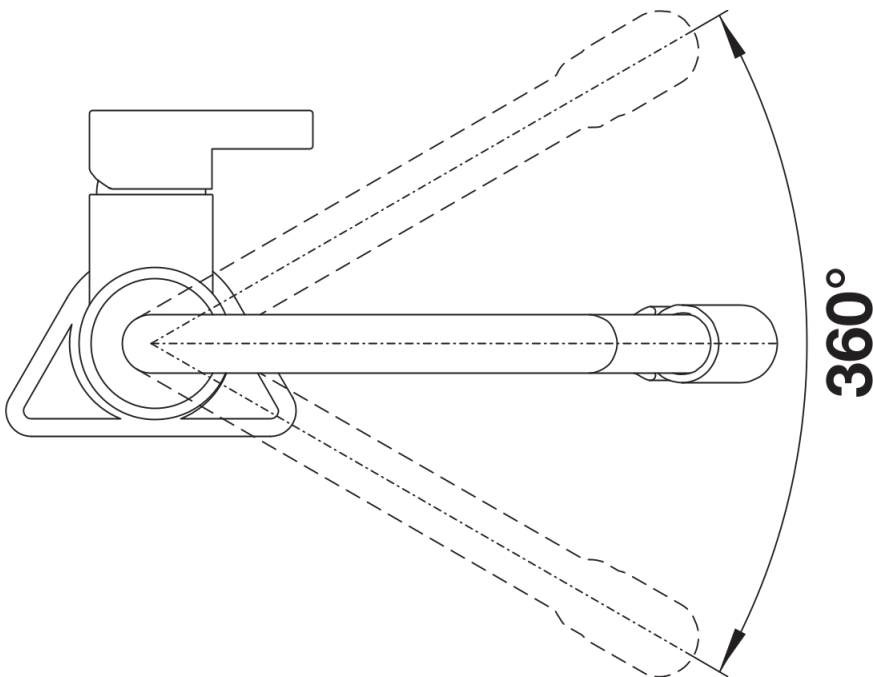
## Scope of supply

---

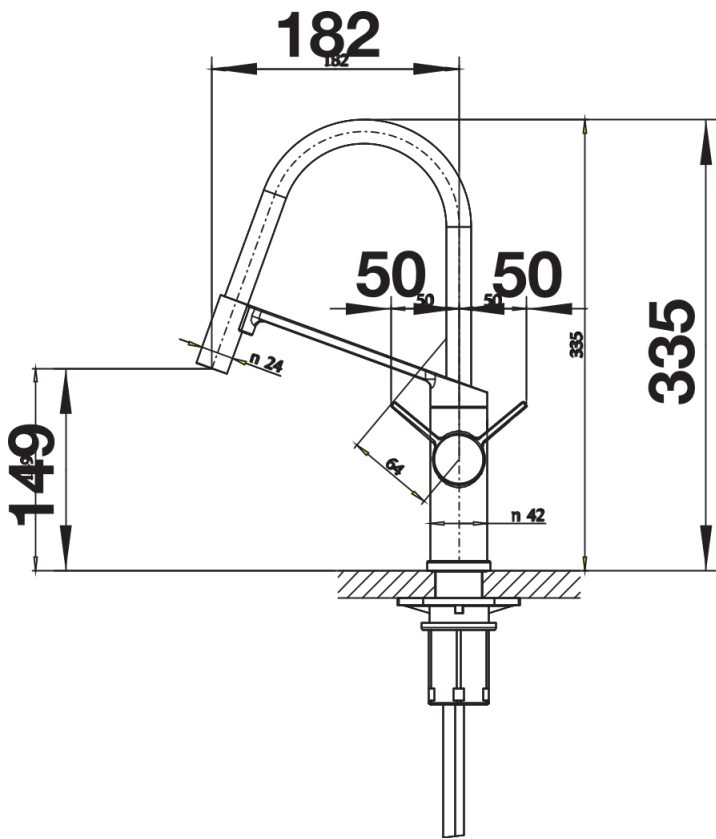
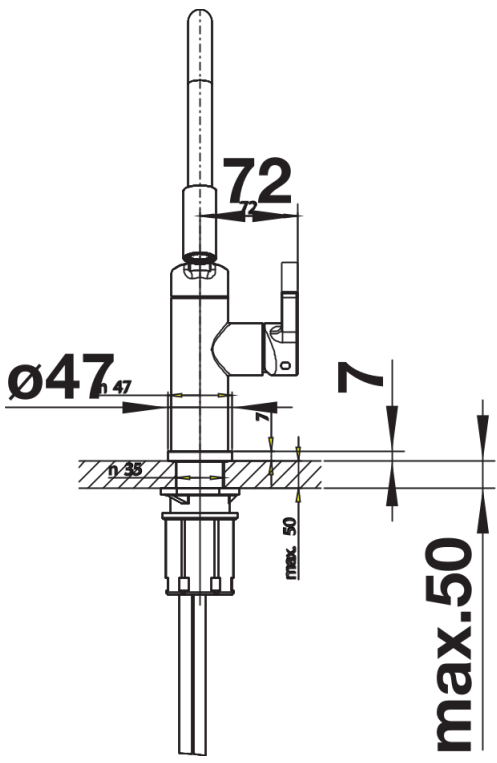
- Exchangeable hose cover in four vivid colours kiwi, orange, lemon and lava grey (pre-installed)
- Ceramic disc control
- $\frac{3}{8}$ " flexible connector pipes, 450 mm long for particularly easy installation
- Requires balanced high pressure supply only, min 1.0 bar
- Fit metal stabilising bracket if required, item No. 513383

## Details

---



## Swivel range



Side view