

Product information sheet FONTAS-S II Filter

Item no. 525199

Benefits



- Comfortable 3-in-1-mixer tap: filtered and unfiltered water out of a pull-out hose
- Separate water circuit: cold and warm water lever on the right, filtered water lever on the left
- Extra spout for filtered water – no mixture with mains water
- Space-saving and practical: with the 3-in-1-tap no additional drilling is required for filtered water supply
- Needs to be installed with a water filter system

Colours



Available colours:

- PVD steel
- satin dark steel
- satin platinum

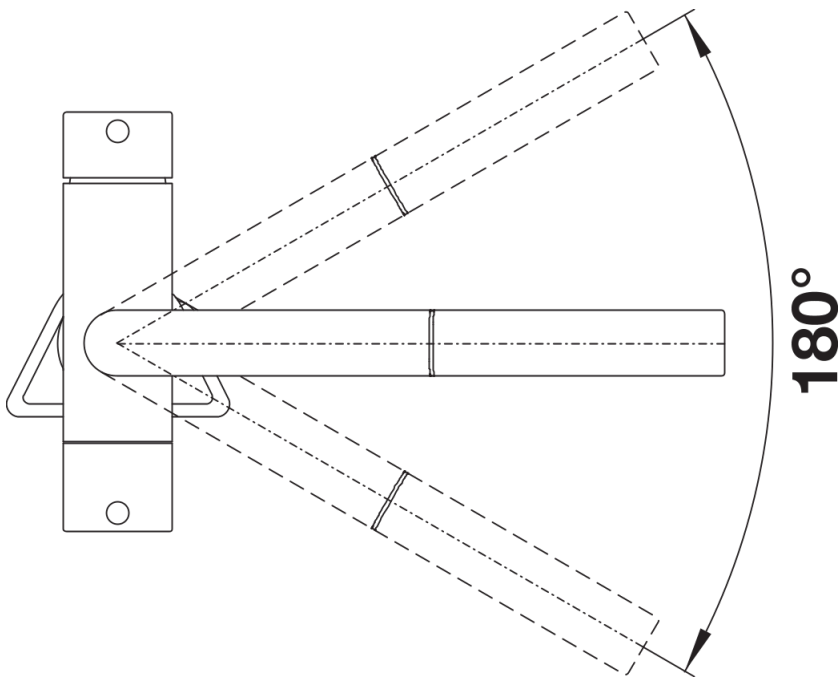
PVD PVD steel

Scope of supply

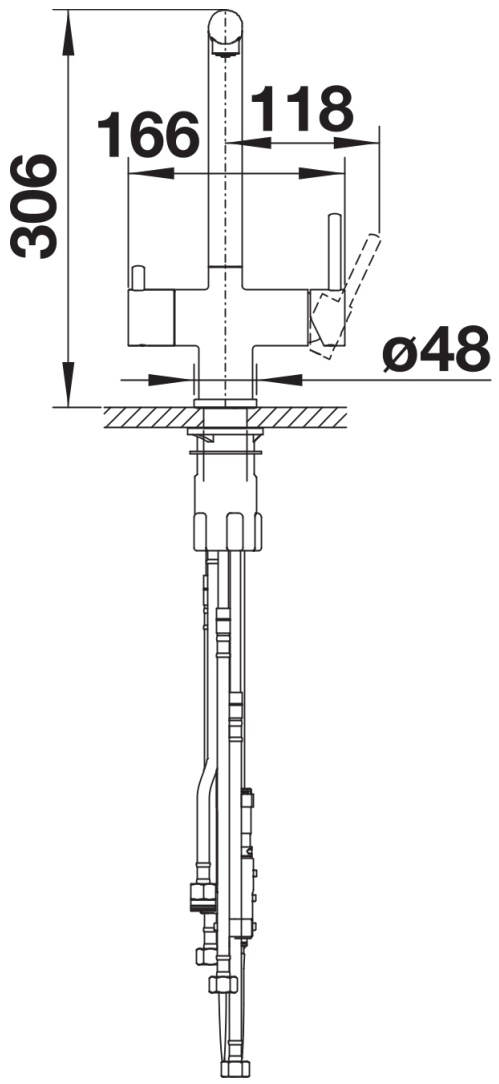
Mixer tap:

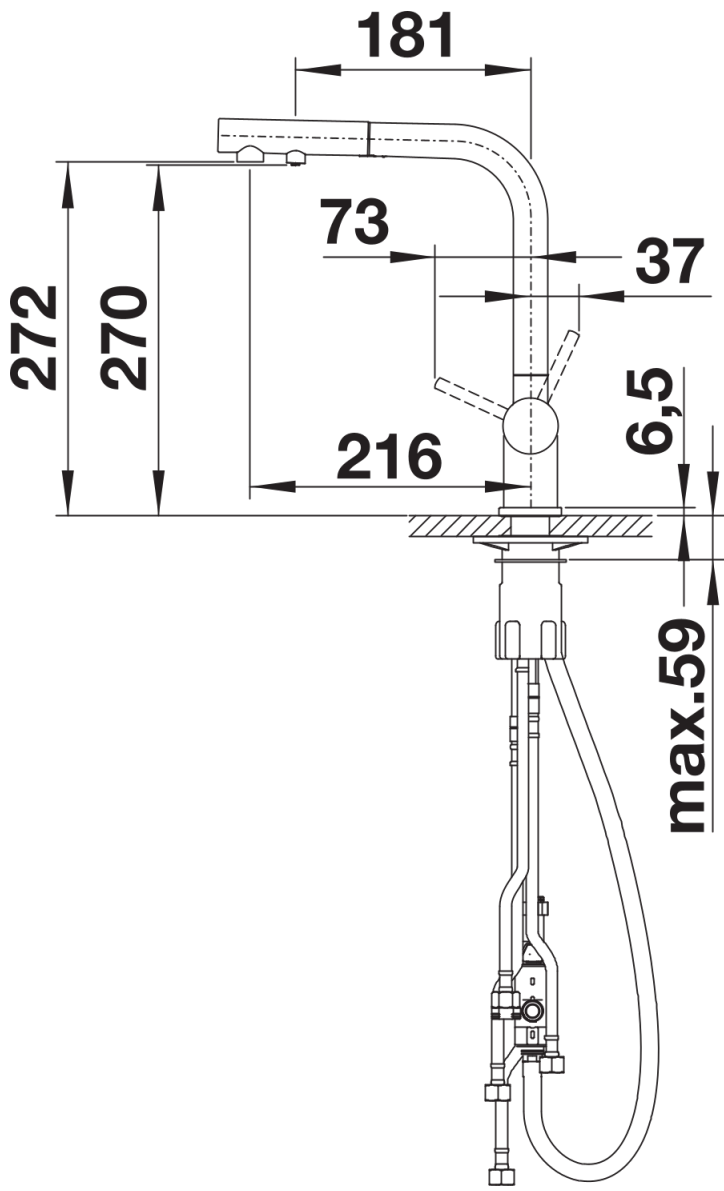
- Ø 35 mm tap hole required
 - Flexible connector pipes, 500 mm long and $\frac{3}{8}$ " nut
 - 360° swivel spout for greater reach
 - High-quality filter system consisting of filter head and multi-stage filter cartridge
 - Flowmeter to display remaining filter capacity
 - Requires balanced high pressure supply only, minimum of 1.0 bar
 - Fit metal stabilising bracket if required, item number 513383
 - Replacement cartridge: Heavy metal filter / Reduces chemicals and chlorines / Filter requires changing up to every 1,800 litres dependent upon water hardness in your area
- Filter system sold separately.

Details



Swivel range





Side view