

Product information sheet SELECT COMPACT 60/2

Item no. 523020

Benefits



- Ideal in combination with Boiler or filtration system
- 34 litre capacity
- 2 x 17L capacity bins
- Painted steel frame & lid with pull-out unit
- Template provided
- Do not use with hinge door

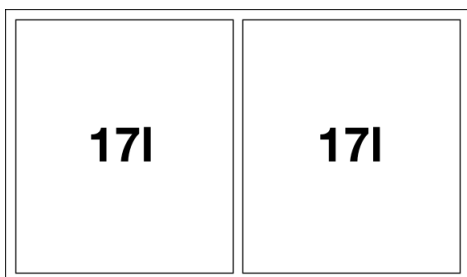
Planning information

- The installation depth enables the installation of boiler or filter systems in 60cm base cabinet.

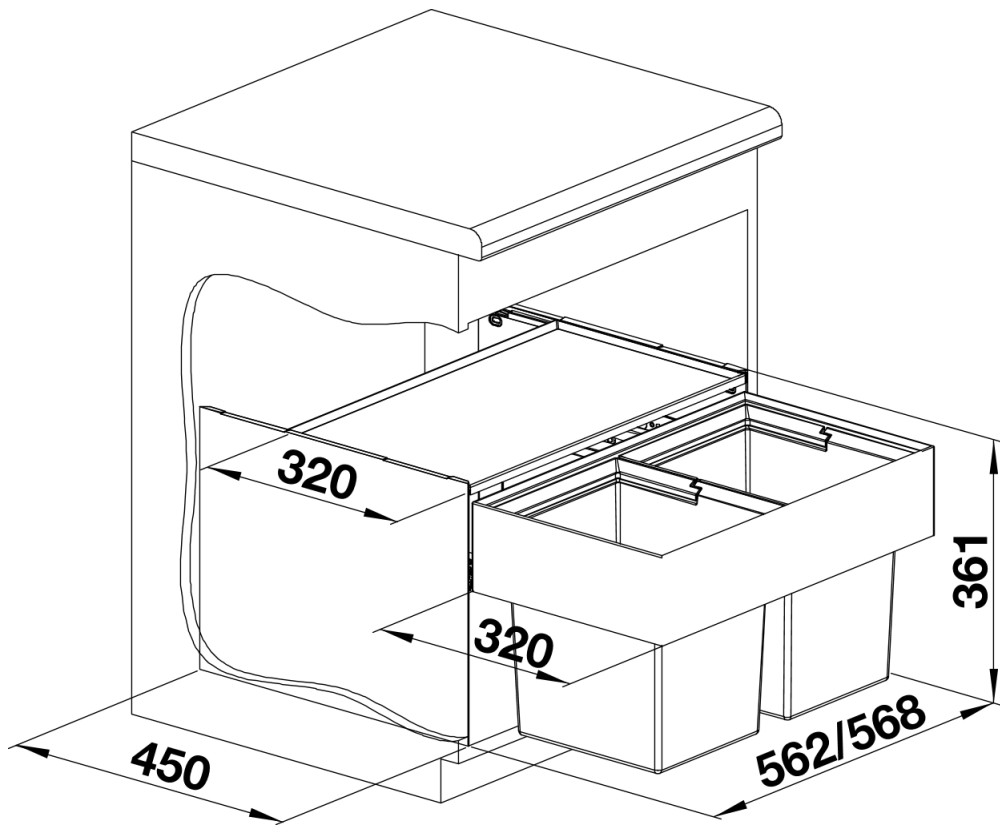
Scope of supply

- pull-out system for front attachment, system cover, 2 x 17 l bin

Details



Top view



PRODUKT_3D