

Product information sheet ANDANO 500-IF/A

Item no. 525245

Benefits



- The ANDANO family's subtle and straight-lined stainless steel sink adds a touch of elegance
- Generous sink for soaking and cleaning baking trays, pots and pans
- Generous tap ledge reduces splashes on the worktop
- Elegant flat-rim for flush mount installation: the sink blends into the worktop, with no raised edges
- Stylish InFino strainer for swift water drainage

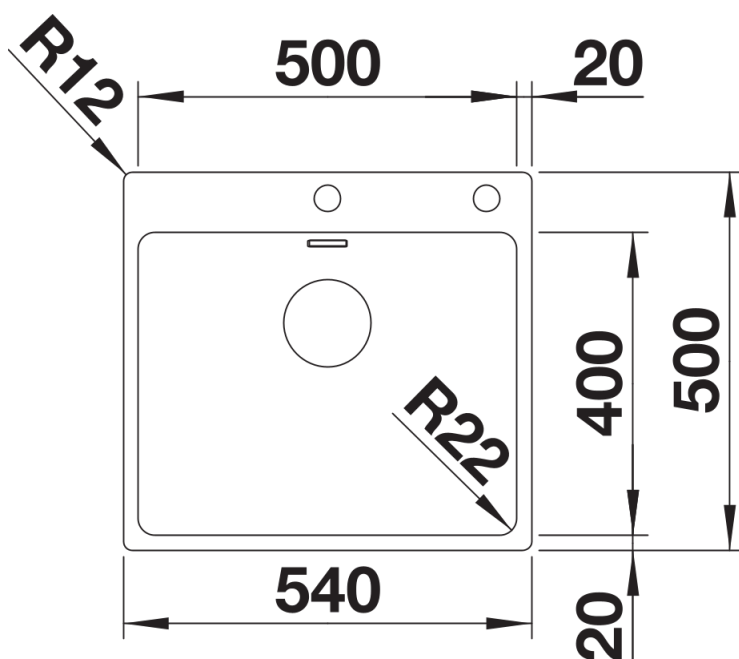
Planning information

- Cut out size: 530 x 490 x R15
Additional drill hole possible. The subsequent drill hole should be carried out by a specialist company.

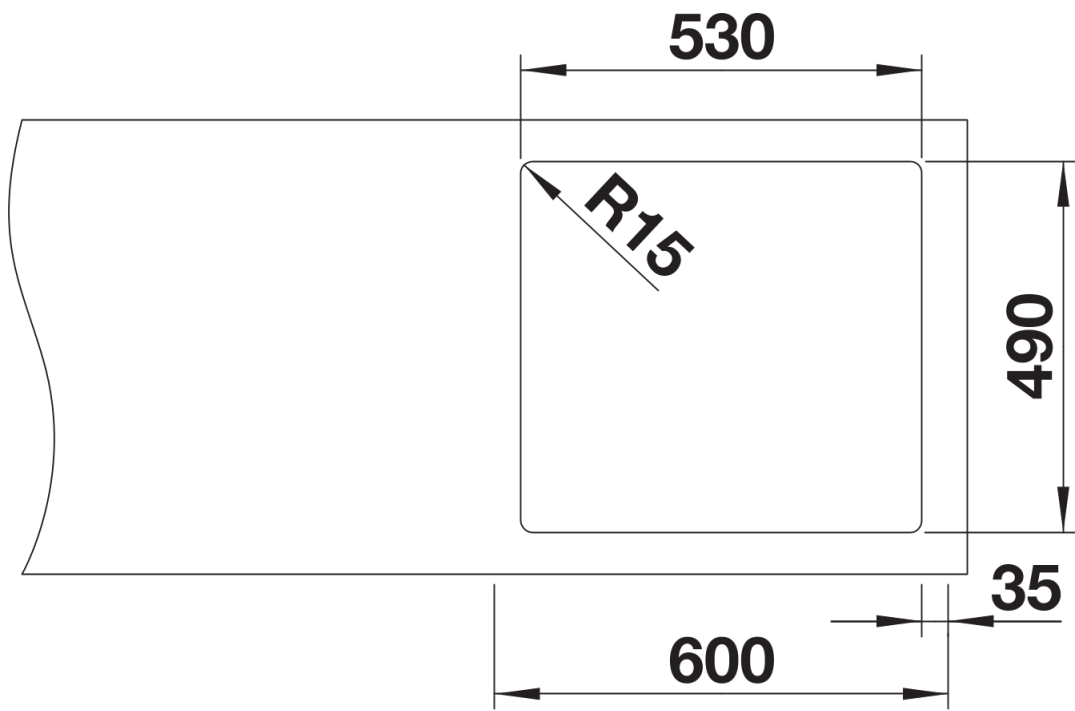
Scope of supply

- Waste and overflow fitting with space-saving pipe
- 3 ½" InFino basket strainer with pop-up waste
- fixing kit

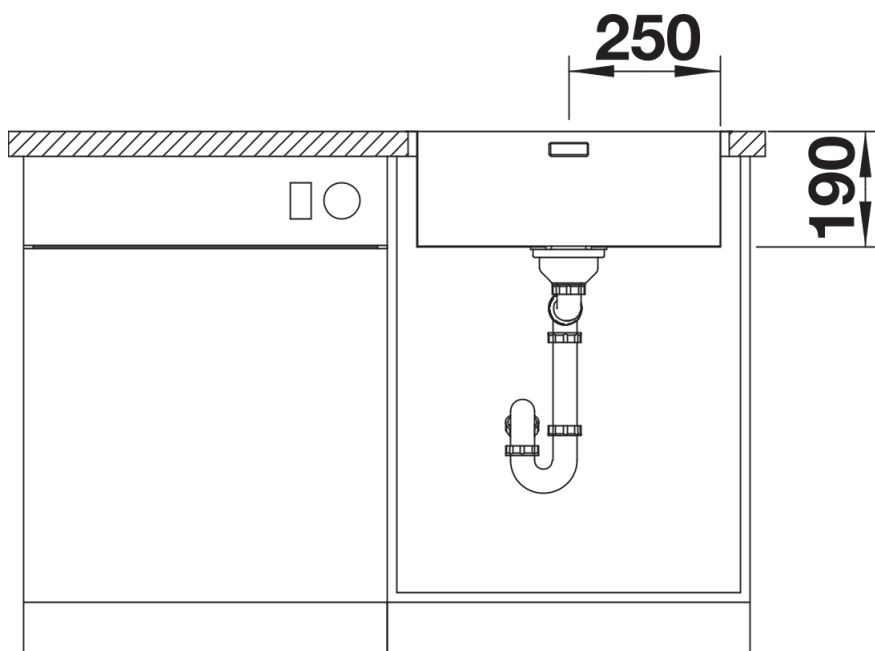
Details



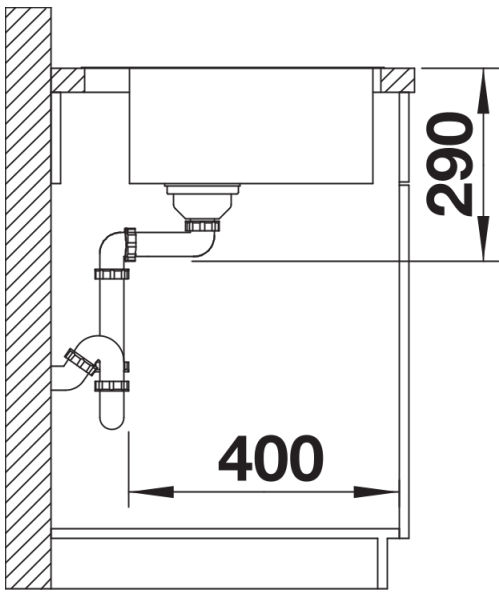
Top view



Cut-out



Front view



Side view