

## Product information sheet ANDANO 700-IF/A

Item no. 525246

### Benefits

---



- Balanced composition of optical and functional elements
- The combination of radii and surface design creates a modern design
- High quality features consisting of a covered C-overflow and InFino drain system - elegantly integrated and easy-care
- Large bowl capacity and fully usable base
- For installation from above

## Planning information

---

- Cut out size: 730 x 490 x R15
- Additional drill hole possible. The subsequent drill hole should be carried out by a specialist company.

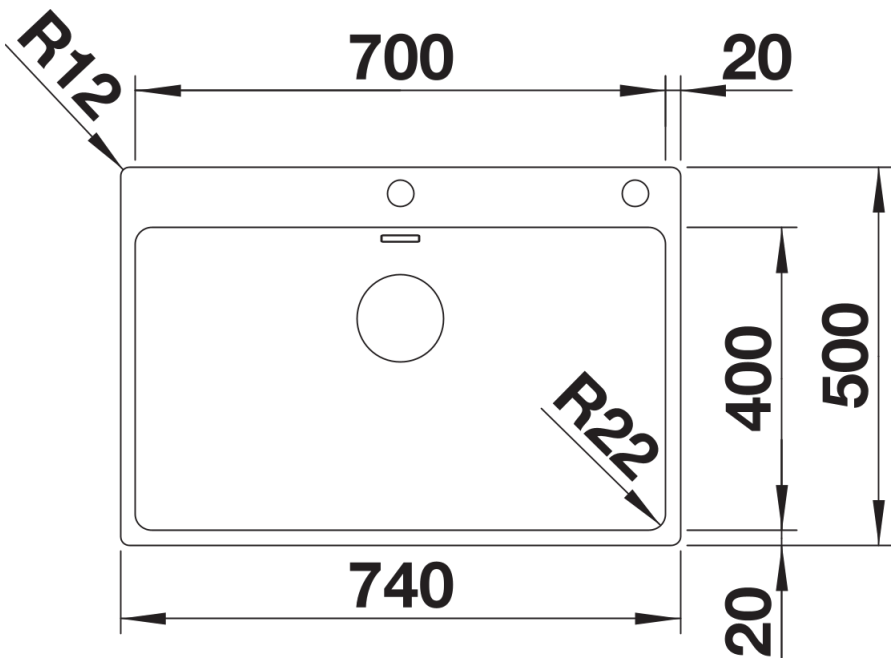
## Scope of supply

---

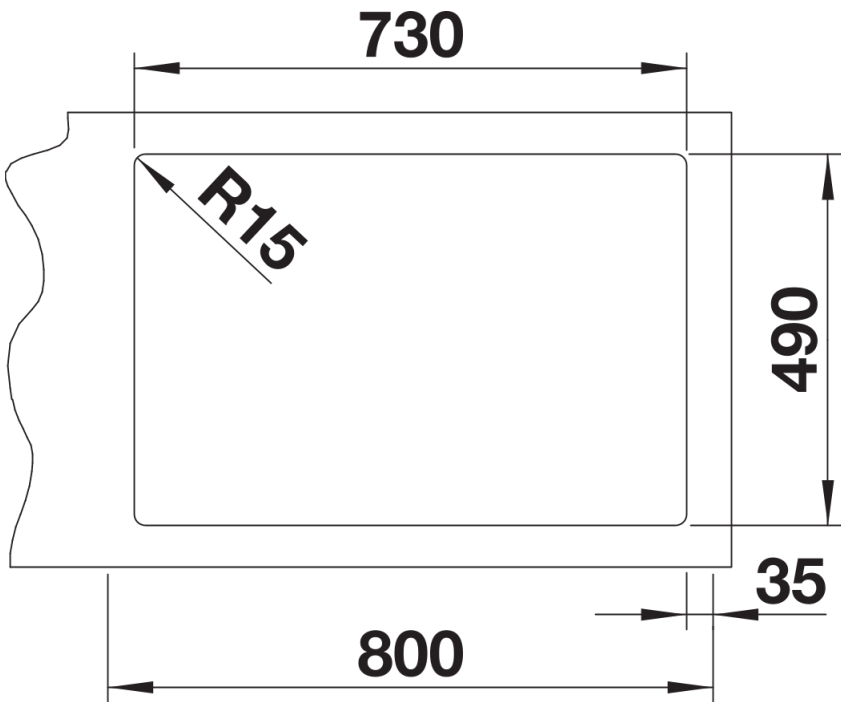
- Waste and overflow fitting with space-saving pipe
- 3 ½" InFino basket strainer with pop-up waste
- fixing kit

## Details

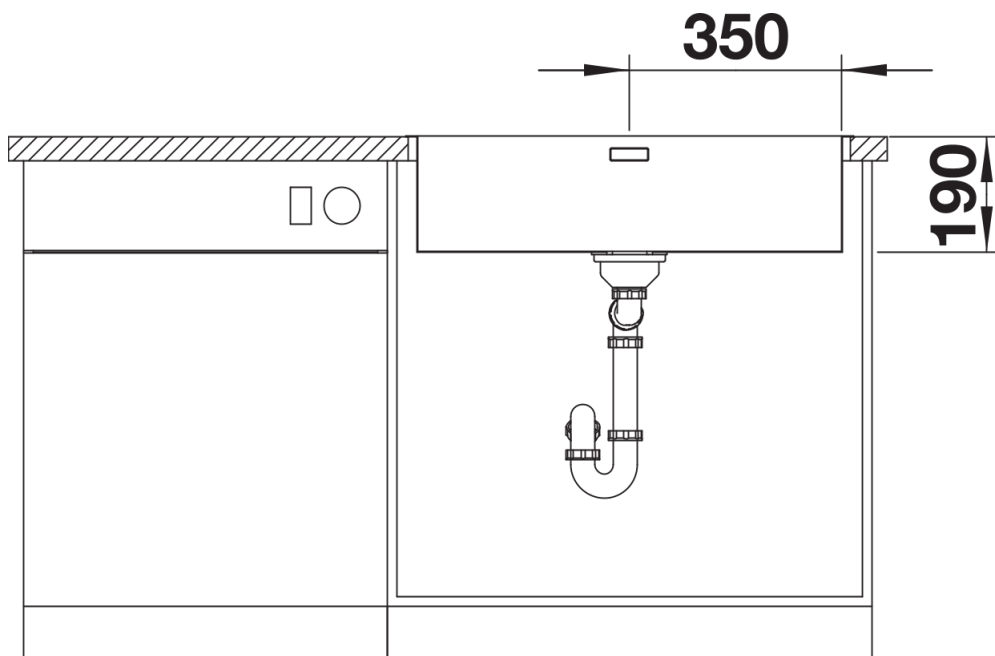
---



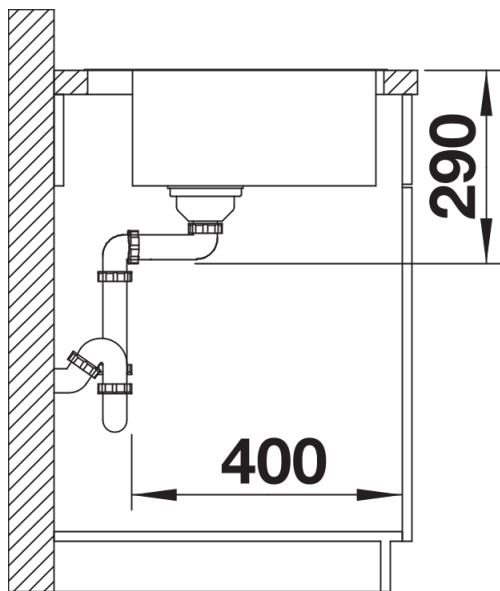
Top view



Cut-out



Front view



Side view