

Product information sheet ANDANO 340/180-IF/A

Item no. 525247

Benefits



- Unique composition of visual and functional elements
- The combination of radii and surface design creates a modern design
- Elegantly designed wet area with an integrated tap ledge in just one worktop cut-out
- Large bowl capacity and fully usable base
- Stylish optional accessories available

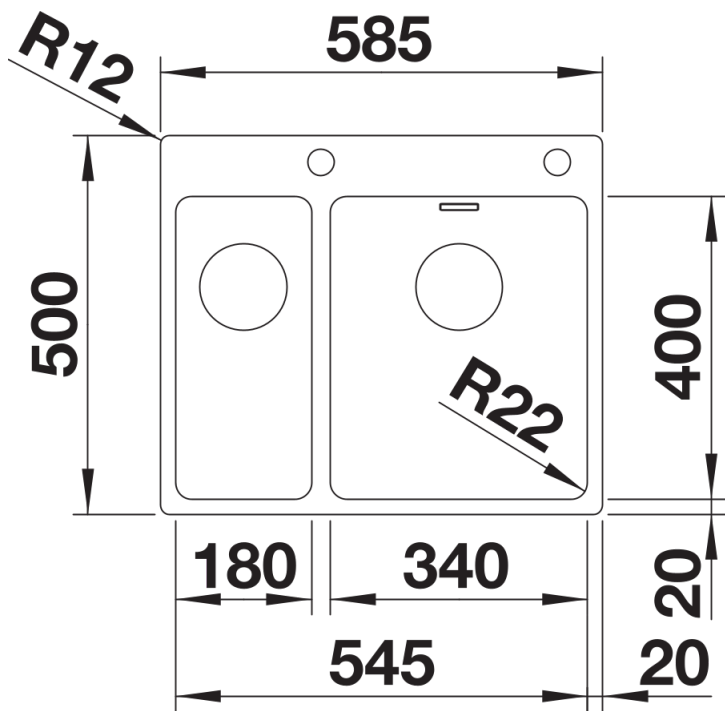
Planning information

- Cut out: 575 x 490 x R15
- German warehouse stock, allow 10 working days.

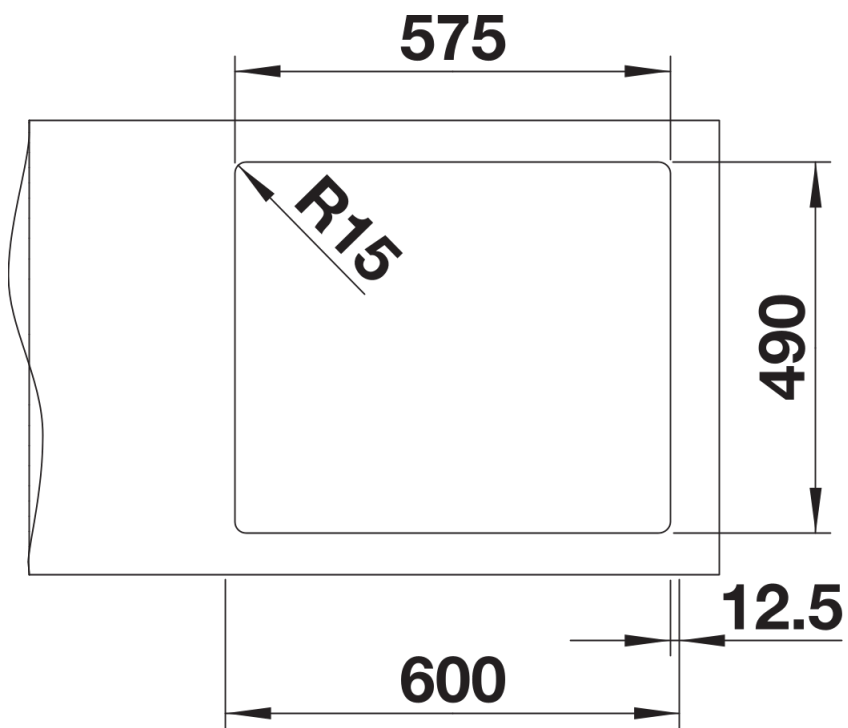
Scope of supply

- Waste and overflow fitting with space-saving pipe
- 3 ½" InFino basket strainer with pop-up waste
- fixing kit.

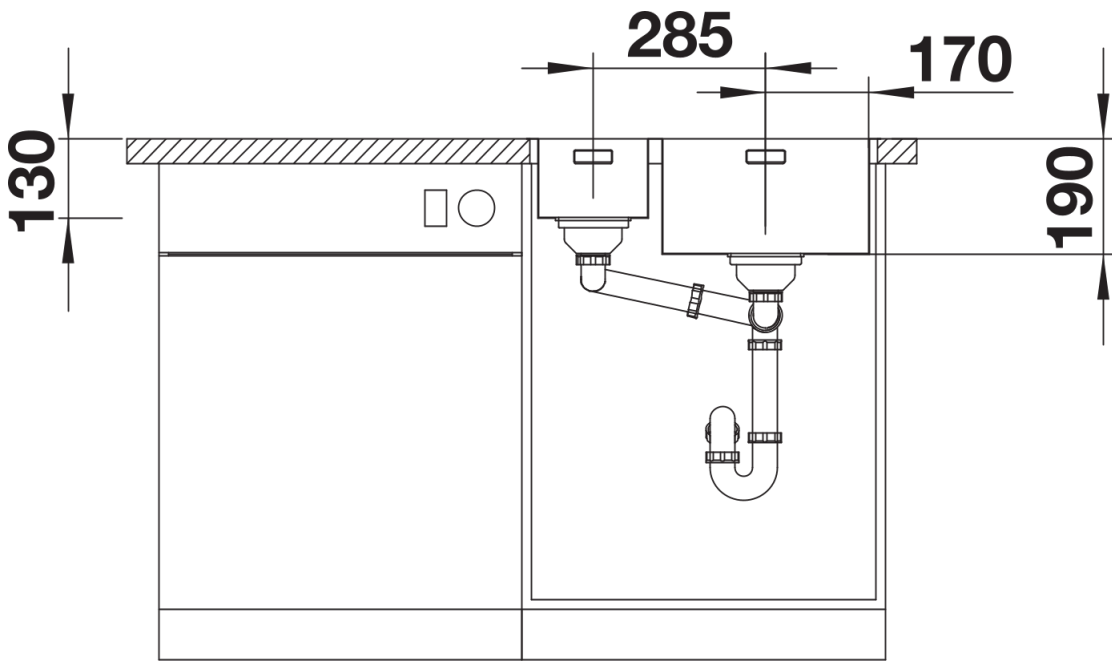
Details



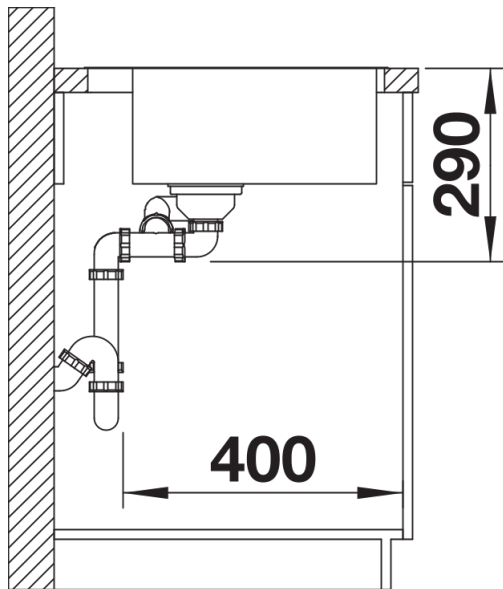
Top view



Cut-out



Front view



Side view