

Product information sheet BLANCO CULINA-S Mini twin lever

Item no. 525197

Benefits



- Twin lever monobloc mixer tap
- Ceramic disc control
- Removable handset with magnetic parking arm
- User friendly single jet spray
- Suitable for low pressure gravity and pressure systems, max 0.5 bar, min 0.3 bar

Colours



Available colours:

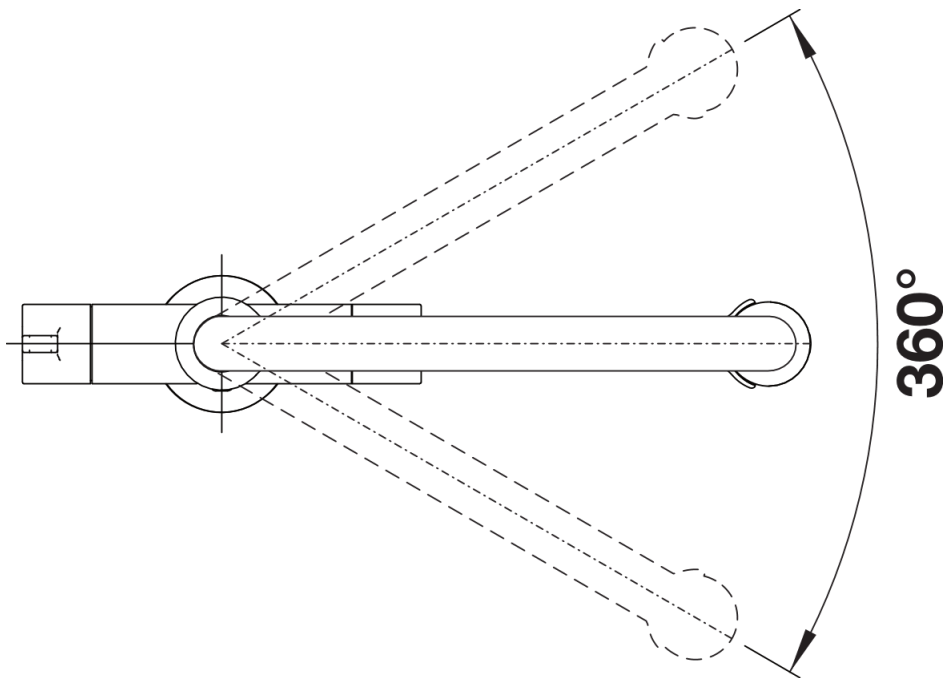
chrome

galvanic chrome

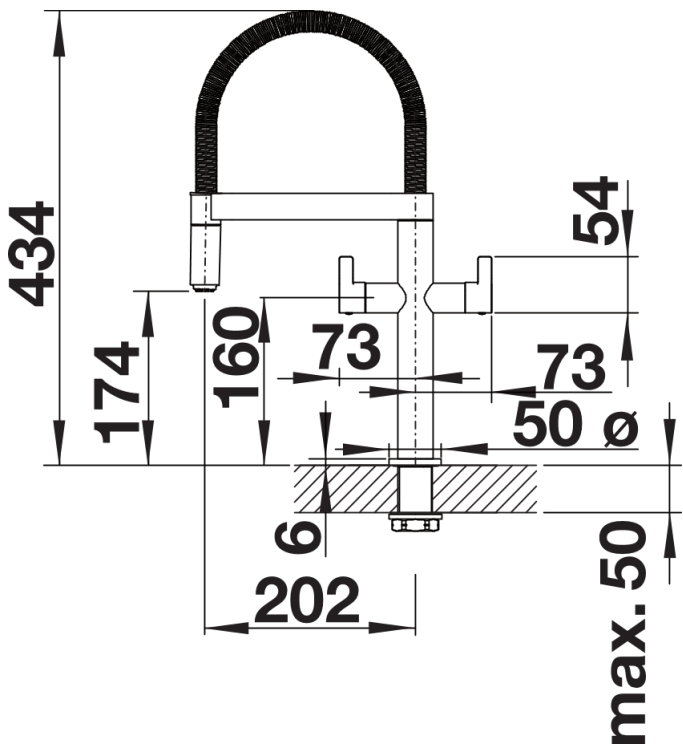
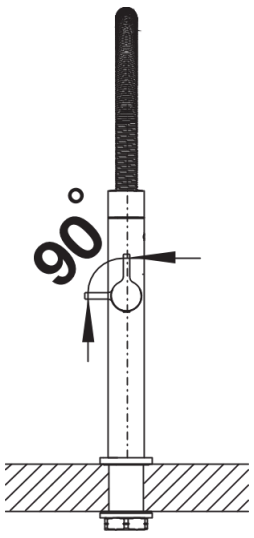
Scope of supply

- Spout can be swivelled by 360°
- Ø 35 mm tap holes required
- With ceramic disk cartridge
- Metal sheathed spray-hose
- Flexible connection pipes with a length of 640 mm and 3/8" nut for particularly easy and secure installation
- Stabilisation plate to increase the stability of the tap when fitted in stainless steel sinks
- With non-return valve and thus guaranteed against reflux in accordance with EN 1717
- LGA approved
- DVGW approved

Details



Swivel range



Side view