

Product information sheet TAMPERA Hot

Item no. 525226

Benefits



- 3-in-1 mixer tap: 100% boiling, cold and warm water out of one tap
- Separate levers incl. safety button for boiling water
- 4-litre hot water boiler made of highly resistant and tasteless titanium - ideal in combination with SELECT Compact waste system
- 100°C water in a controlled jet through an aerator that reduces spray to protect your hands
- High-end BWT multi-stage filter reduces lime scale, contaminates and improves taste
- Insulated spout that doesn't get hot to the touch
- Digital Flowmeter displays exact filter capacity with audible alert system

Colours



Available colours:

chrome

galvanic chrome

Planning information

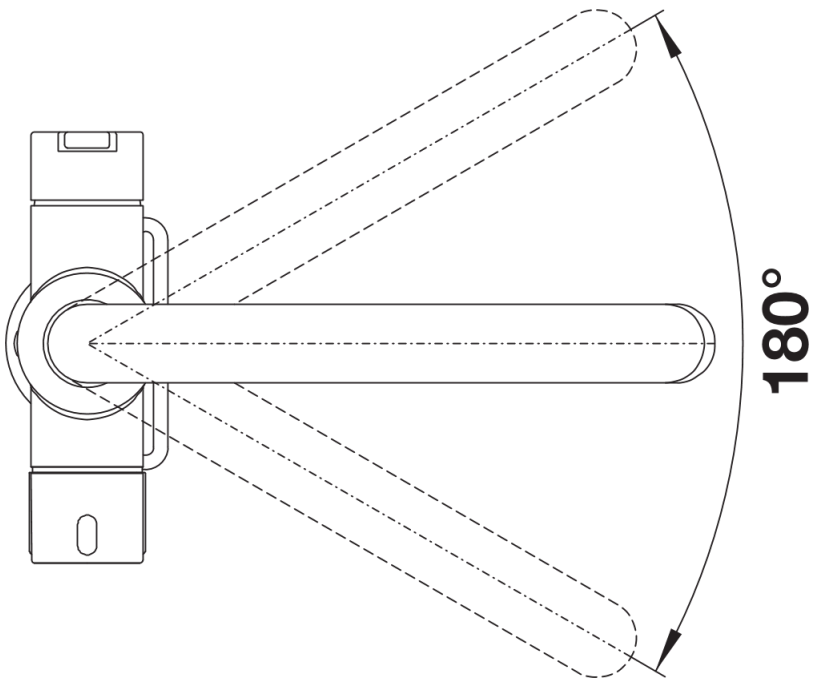
- Note: Minimum cabinet width = 450mm but recommended minimum width = 600mm.

Scope of supply

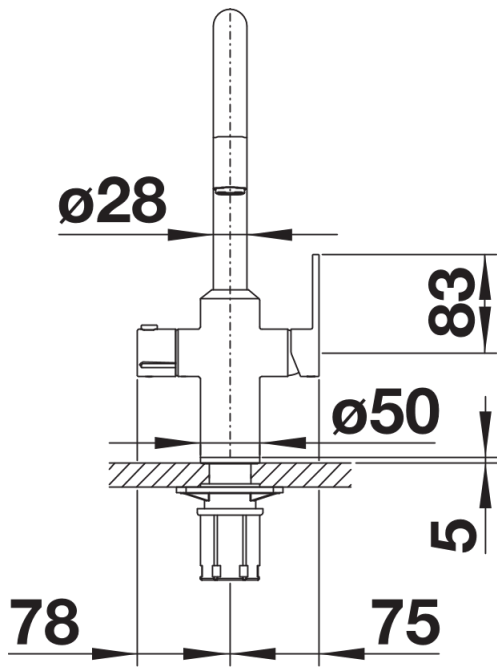
- Spout can be swivelled by 180°
- Ø 35 mm tap hole required
- With ceramic disk cartridge
- Flexible connection pipes with a length of 450 mm and 3/8" nut for particularly easy and secure installation
- Patented jet regulator for markedly reduced scaling
- Stabilising plate to increase the stability of the tap when fitted in stainless steel sinks
- Insulated spout
- Top-quality high-pressure titanium boiler (extremely corrosion-resistant, fully tasteless)
- Capacity: 4 Litres
- Temperature: 100° C
- Energy efficient (approx. 16W consumption in standby mode)
- Power outlet: 230 VAC, 50/60 Hz.
- Nominal power: 2100 W
- Safety group incl. drain system pipe connection
- High-end water filtering system by BWT, incl. filter head and multi-stage filter cartridge
- Digital Flowmeter to display remaining filter capacity
- Supplied with UK 3-pin plug and 3/8" to 1/2" pipework adaptor

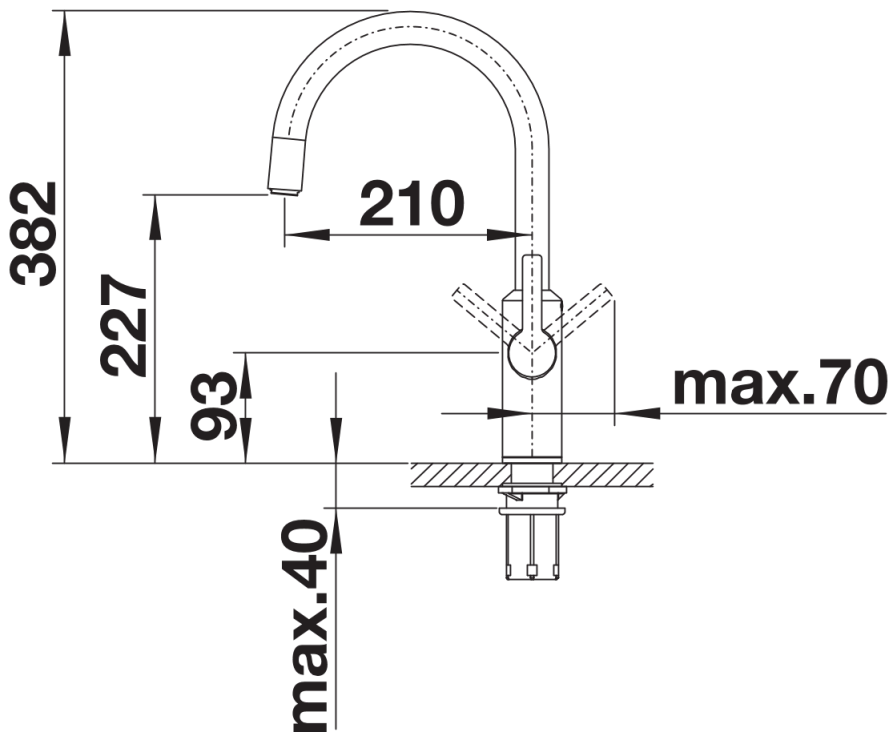
525273 - filter cartridge

Details



Swivel range





Side view