

Product information sheet VINTERA XL 9

Item no. 526110

Benefits



- Striking sink with farmhouse flair, ideal for modern kitchen designs
- Extra-large bowl provides plenty of room
- Perfect fit: right-angled apron front fits the width of a 90 cm cabinet
- One model which can be installed either flush-mount or undermount

Colours



SILGRANIT black

Available colours:

- black
- anthracite
- rock grey
- volcano grey
- alumetallic
- white
- soft white
- tartufo
- coffee

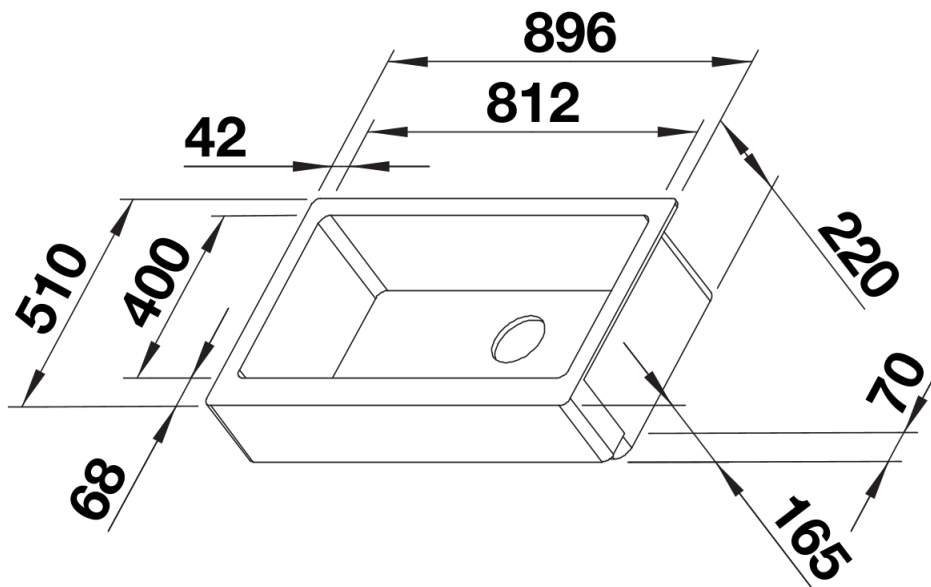
Planning information

- Please note the installation details and cut-out information

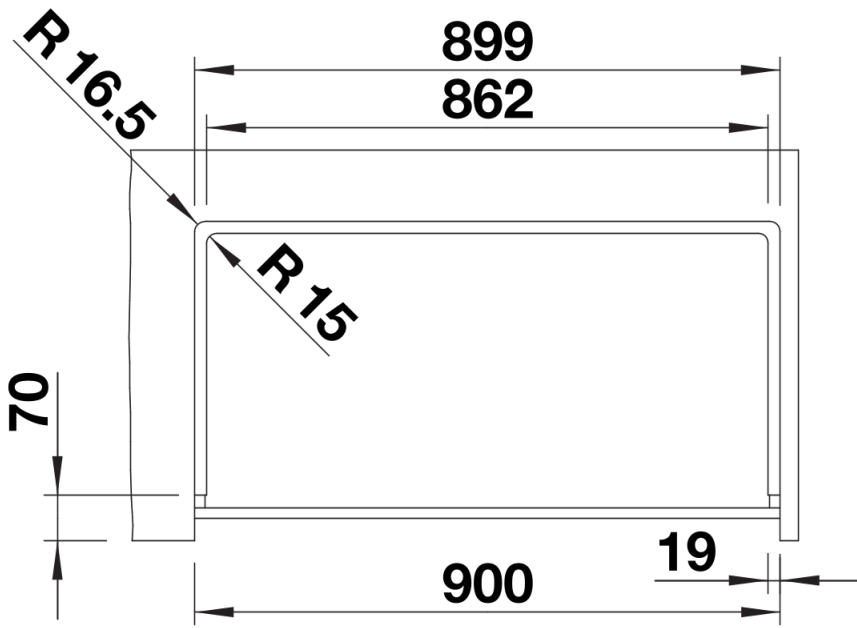
Scope of supply

- Waste kit with space-saving pipe
- 3 ½" InFino basket strainer
- German warehouse stock
- allow 10 working days

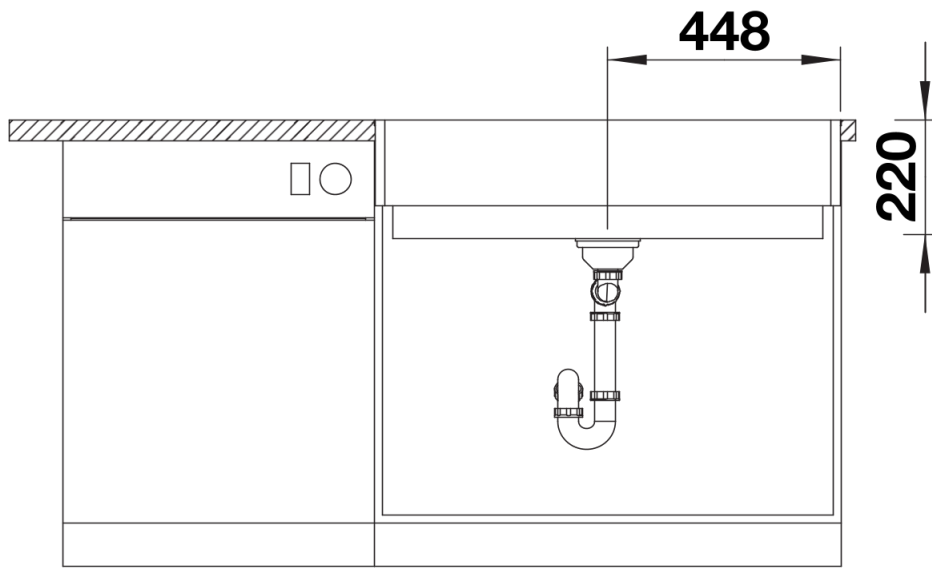
Details



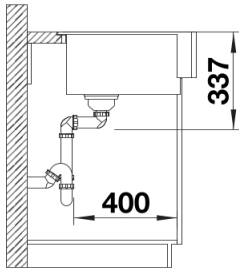
Top view



Cut-out



Front view



Side view