

Product information sheet VINTERA XL 9

Item no. 526102

Benefits



- Striking sink with farmhouse flair, ideal for modern kitchen designs
- Extra-large bowl provides plenty of room
- Perfect fit: right-angled apron front fits the width of a 900 mm cabinet
- One model which can be installed either flushmount or undermount

Colours



Available colours:

- black
- anthracite
- rock grey
- volcano grey
- white
- soft white
- tartufo
- coffee

SILGRANIT rock grey

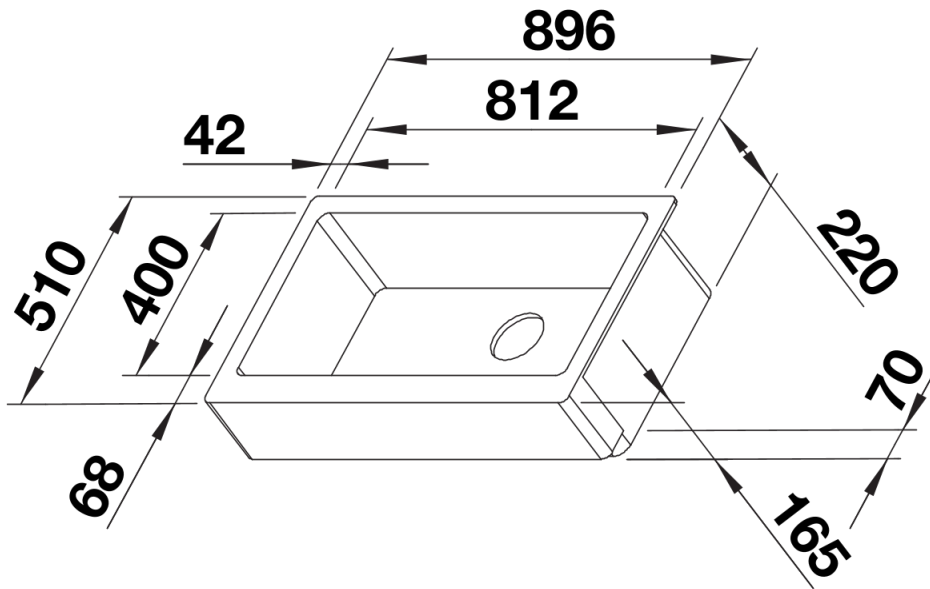
Planning information

- Bowl depth 220 mm
- Cut-out information for both flushmount or undermount installation supplied.
- Flushmount:<a><https://youtu.be/CGRIPZsbQ6Y>,
- Undermount:<a><https://youtu.be/jB-uTpOrpCc>

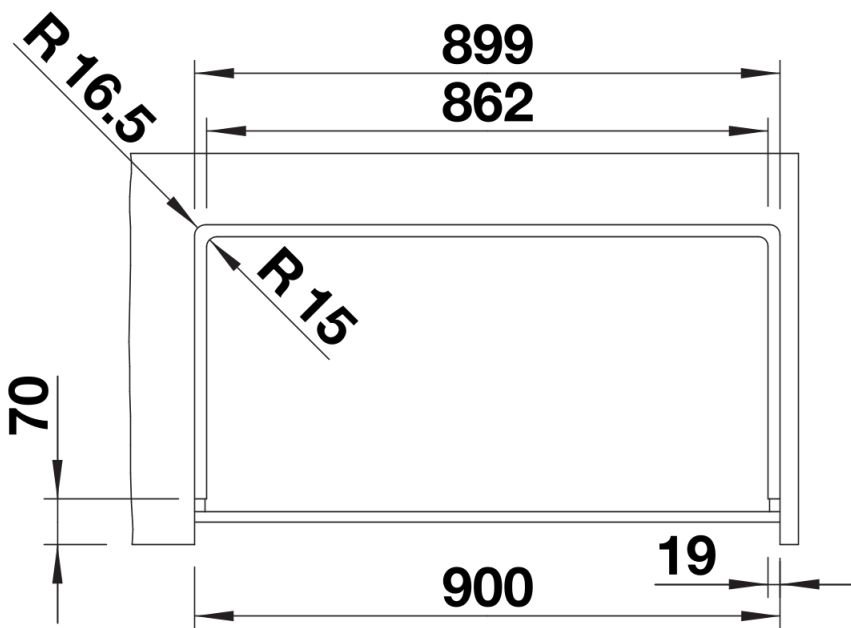
Scope of supply

- Waste kit with space-saving pipe
- 3 ½" InFino basket strainer
- German warehouse stock
- allow 10 working days

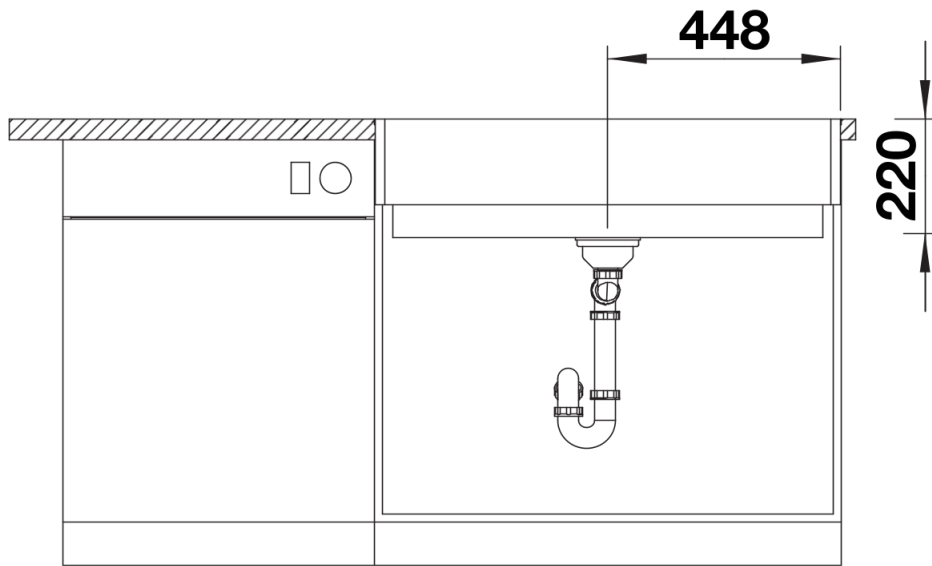
Details



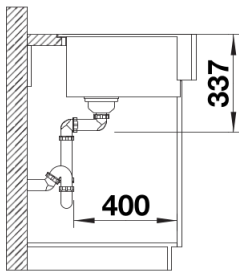
Top view



Cut-out



Front view



Side view