

## Product information sheet VINTERA XL 9

Item no. 526105

### Benefits

---



- The modern interpretation of a classic kitchen sink: a rustic, elegant statement
- Add a touch of country-house style to your kitchen
- Apron front sink in a range of Silgranit colours from warm tones to cool greys
- Extra large sink for soaking baking tray and cleaning pots and pans
- Elegant InFino strainer for swift water drainage
- One model for flush-mount or undermount installation

## Colours

---



SILGRANIT white

Available colours:

- black
- anthracite
- rock grey
- volcano grey
- white
- soft white
- tartufo
- coffee

## Planning information

---

- Cut-out information for both flushmount or undermount installation supplied.<br>

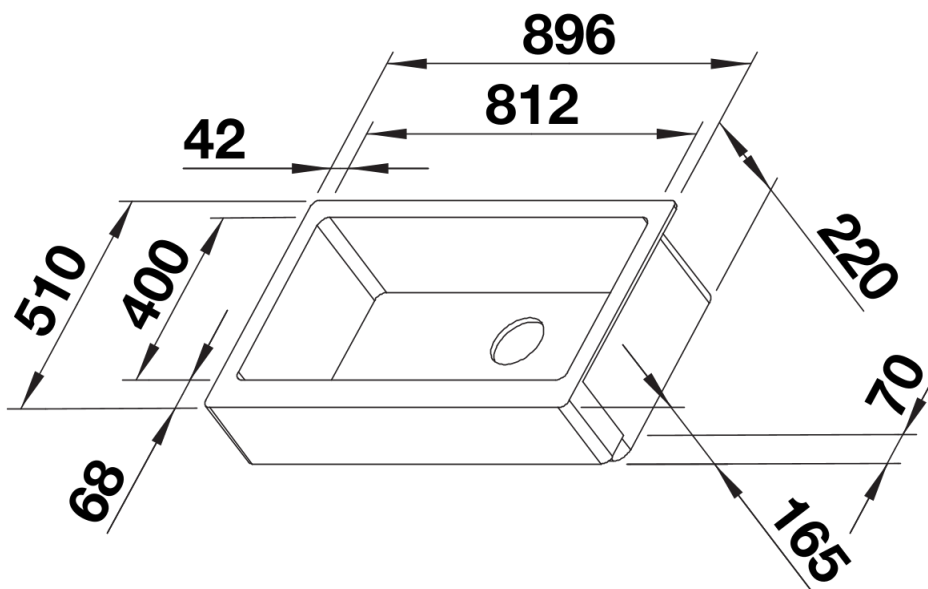
## Scope of supply

---

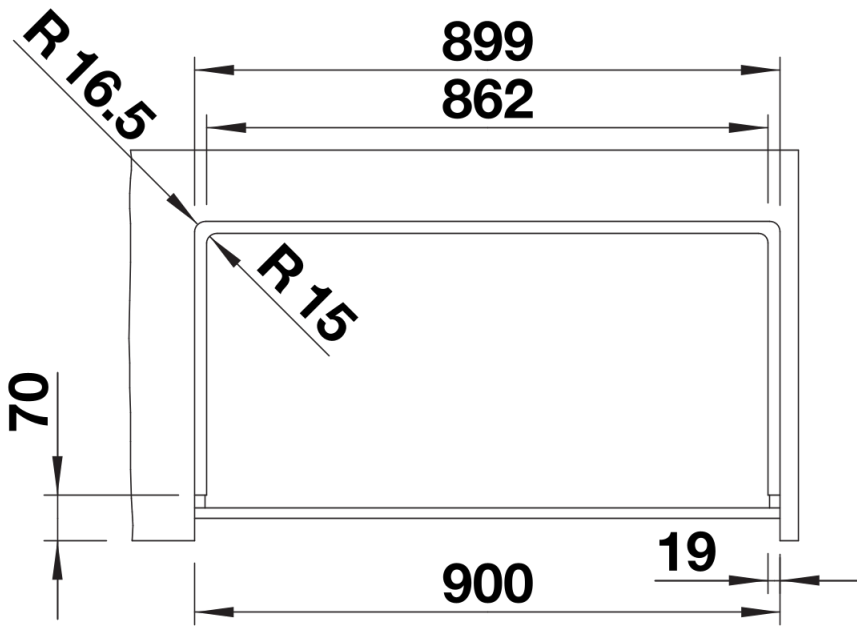
- Waste kit with space-saving pipe
- 3 ½" InFino basket strainer

## Details

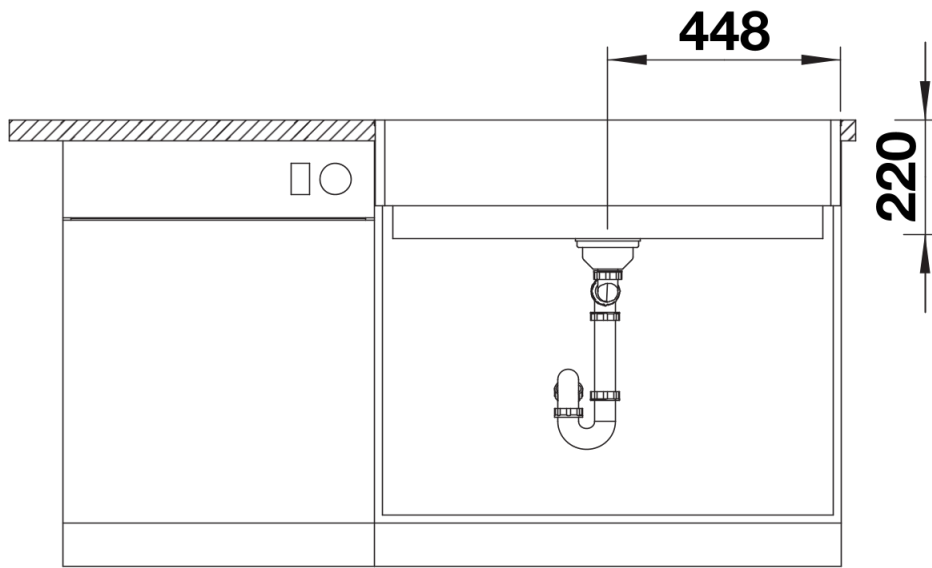
---



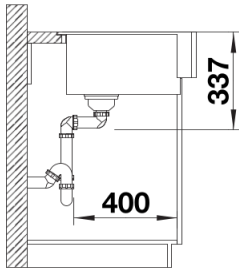
Top view



Cut-out



Front view



Side view