

Product information sheet VINTERA XL 9

Item no. 526107

Benefits



- The modern interpretation of a classic kitchen sink: a rustic, elegant statement
- Add a touch of country-house style to your kitchen
- Apron front sink in a range of Silgranit colours from warm tones to cool greys
- Extra large sink for soaking baking tray and cleaning pots and pans
- Elegant InFino strainer for swift water drainage
- One model for flush-mount or undermount installation

Colours



Available colours:

black
anthracite
rock grey
volcano grey
white
soft white
tartufo
coffee

SILGRANIT tartufo

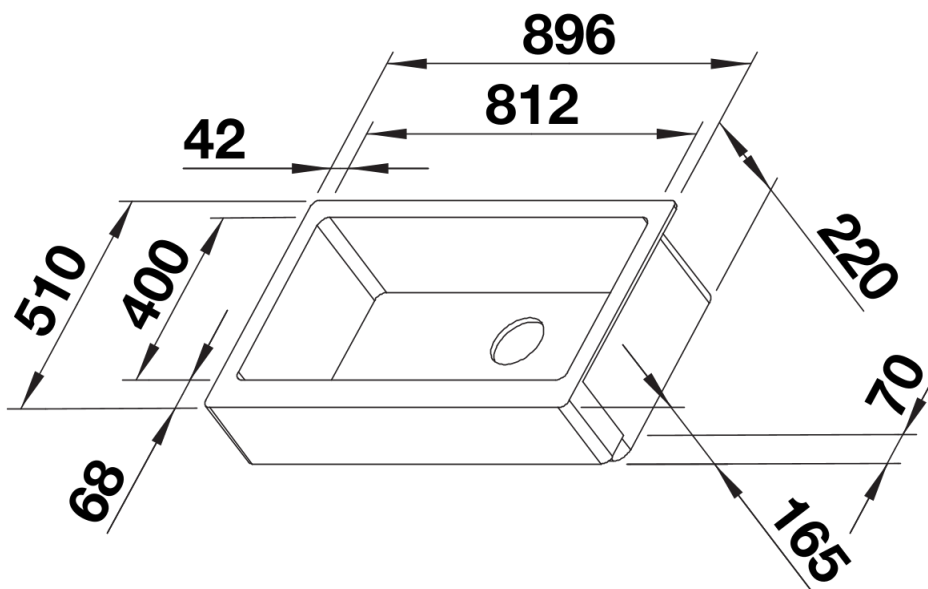
Planning information

- Cut-out information for both flushmount or undermount installation supplied.

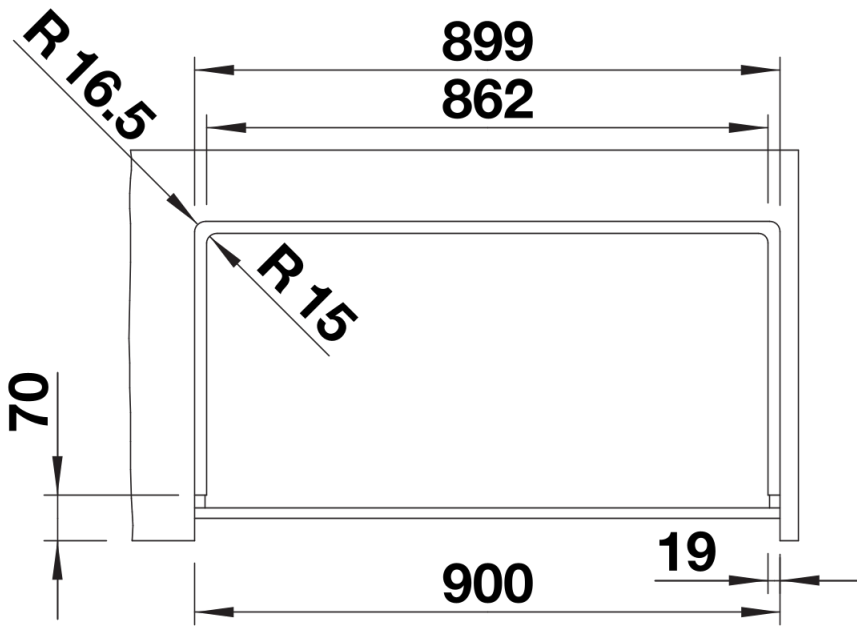
Scope of supply

- Waste kit with space-saving pipe
- 3 ½" InFino basket strainer

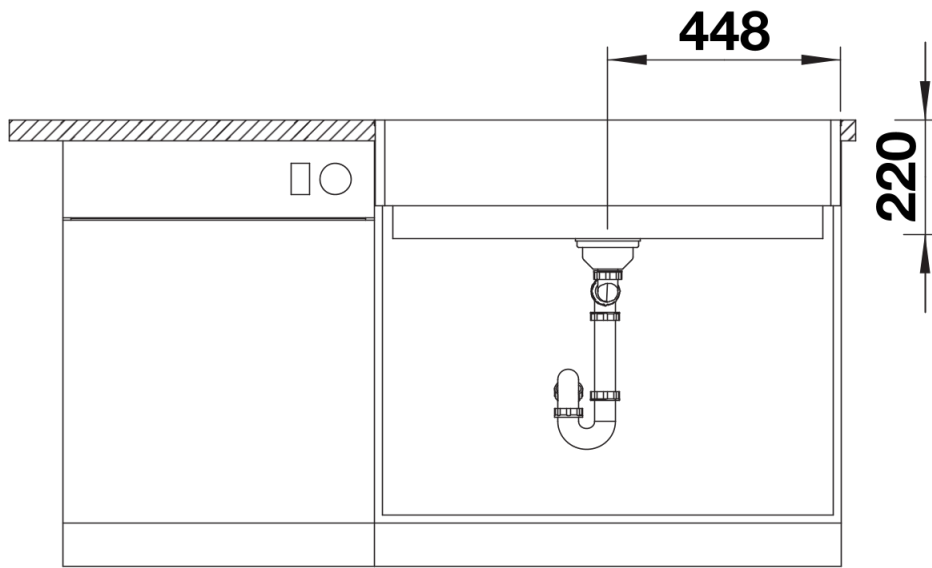
Details



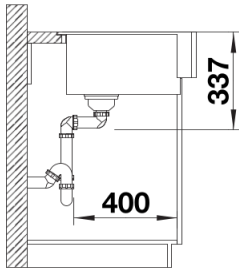
Top view



Cut-out



Front view



Side view