

Product information sheet ROTAN 700-U

Item no. 521344

Benefits



- Seamless, understated, modern bowl design
- Extra large bowl for soaking and cleaning big baking trays, pots and pans
- Stainless steel basket strainer to catch debris and prevent blockages

Colours



Available colours:

anthracite
volcano grey
white
soft white
coffee

SILGRANIT anthracite

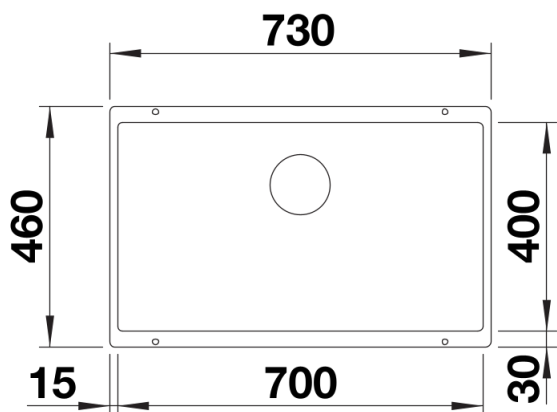
Planning information

- Cut-out radius: 10 mm

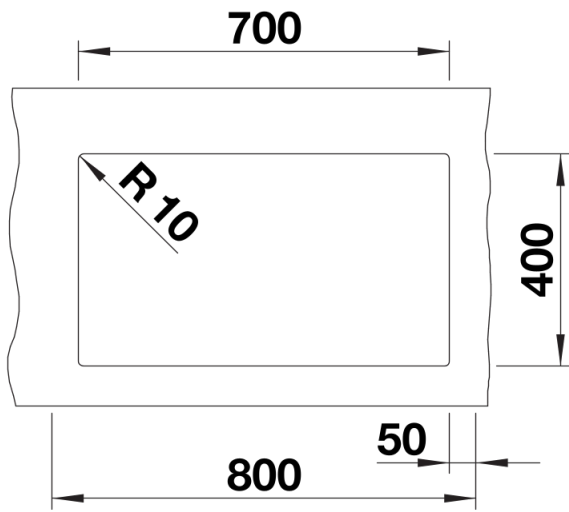
Scope of supply

Waste kit with space-saving pipe, 3 ½" basket strainer

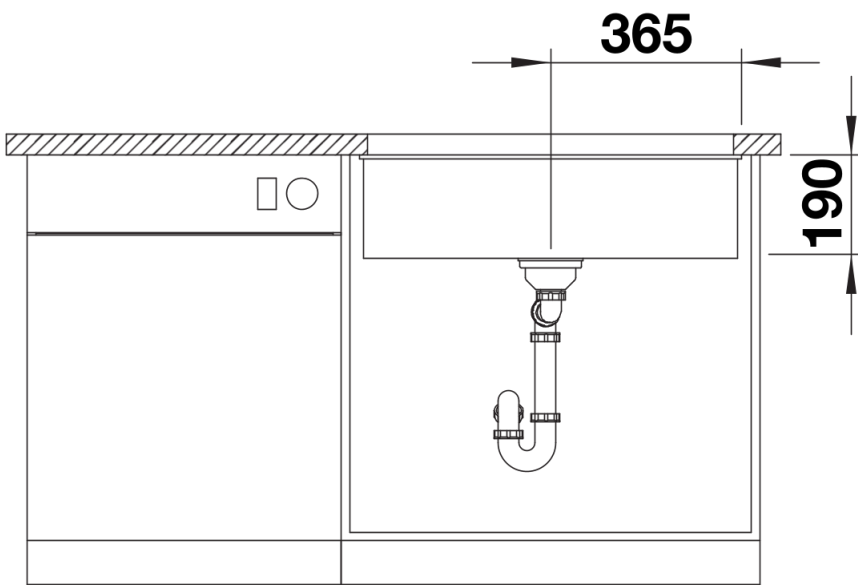
Details



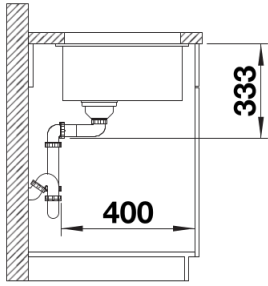
Top view



Cut-out



Front view



Side view