

## Product information sheet SELECT II 60/3

Item no. 526204

### Benefits

---



- Modern, harmonious and functional design
- Integrated construction into existing kitchen cupboard
- All parts are easy to clean
- High quality system cover that can simply be pulled out
- Quick and easy to install
- Functionally designed bins with integrated handles
- Optional: BLANCO MOVEX foot control for pull-out cabinet doors

## Planning information

---

- Installation height 361mm, installation depth 400mm, required inside dimension of cabinet 450mm.
- Door fronts must not have hinges or holes. Take position of handle into account.
- Can also be installed in cabinets with panelled doors with 40mm frame.
- Consider the installation height of the waste system, installation depth of the sink and the resultant minimum measure of the cabinet right from the planning.

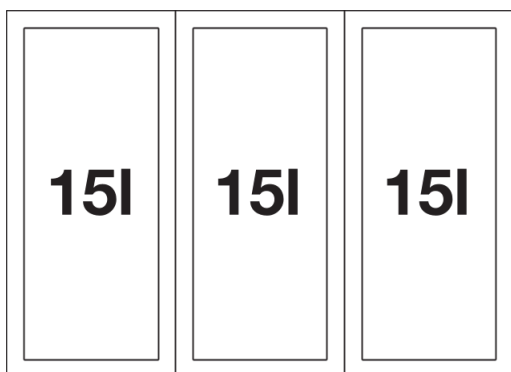
## Scope of supply

---

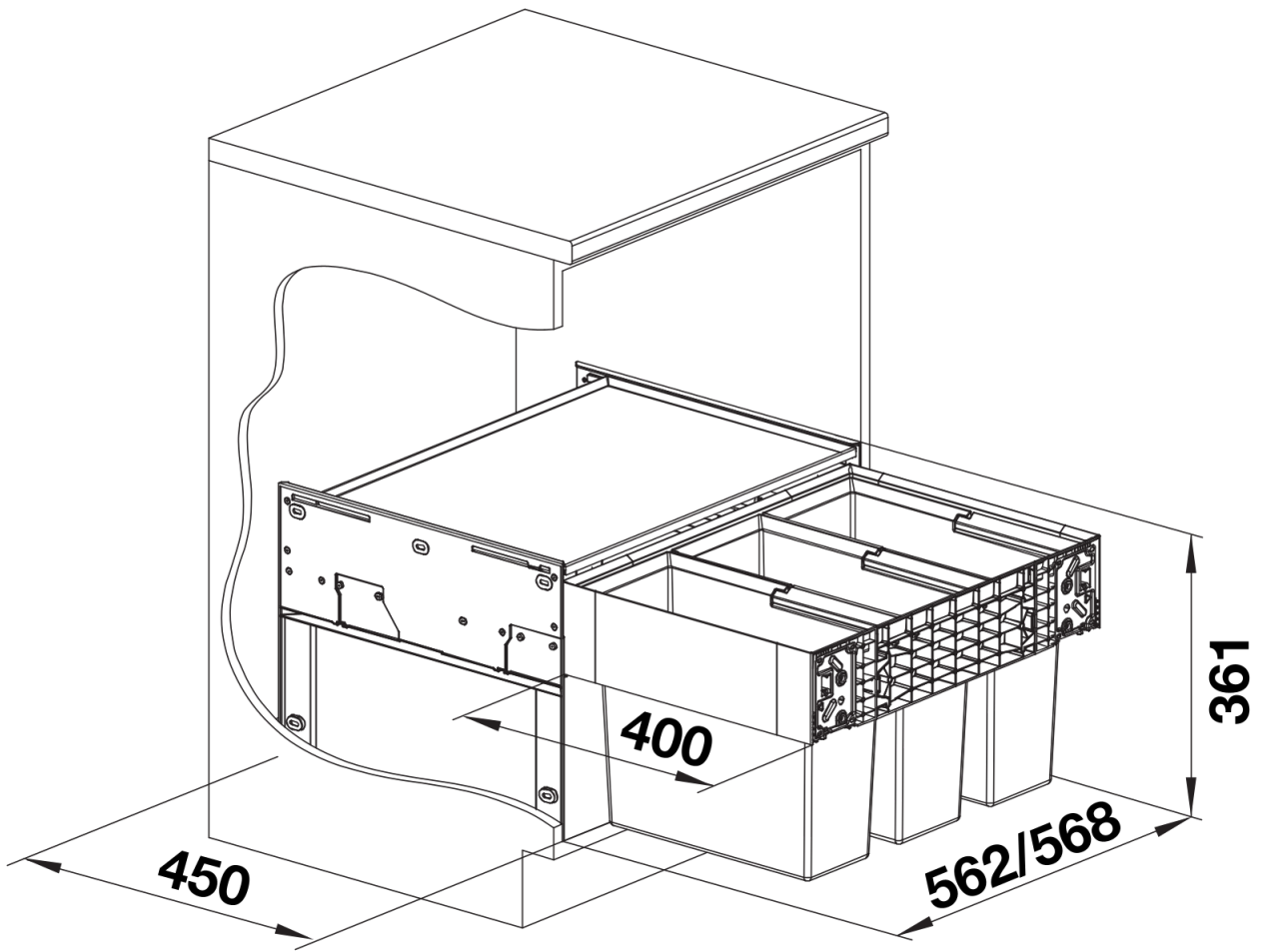
- 45 litre total capacity - (3 x 15L)
- Painted steel frame lid with pull out unit
- Template provided - do not use with hinge door

## Details

---



Top view



PRODUKT\_3D