

Product information sheet SELECT II Compact 60/2

Item no. 526207

Benefits



- Ideal for installation in front of hot tap boilers, hot-water or filter systems
- Optimal use of the cabinet space thanks to the reduced installation depth of 320 mm
- Modern design with high-quality aluminium
- All parts are easy to clean thanks to the generous and smooth surfaces
- Simple installation without measuring, marking or pre-drilling

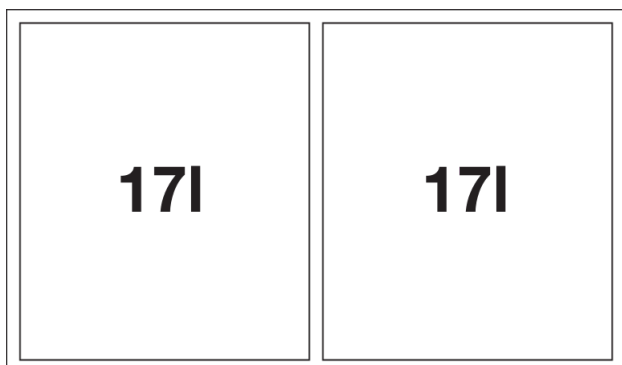
Planning information

- Installation height 361 mm, installation depth 320 mm, necessary inside cabinet dimensions for pull-out rails 450mm, cabinet side wall thickness 16 mm or 19 mm.
- Door fronts must not have hinges or holes. Take position of handle into account.
- Can also be installed in cabinets with panelled doors with 40mm frame.
- Consider the installation height of the waste system, installation depth of the sink and the resultant minimum measure of the cabinet right from the planning.

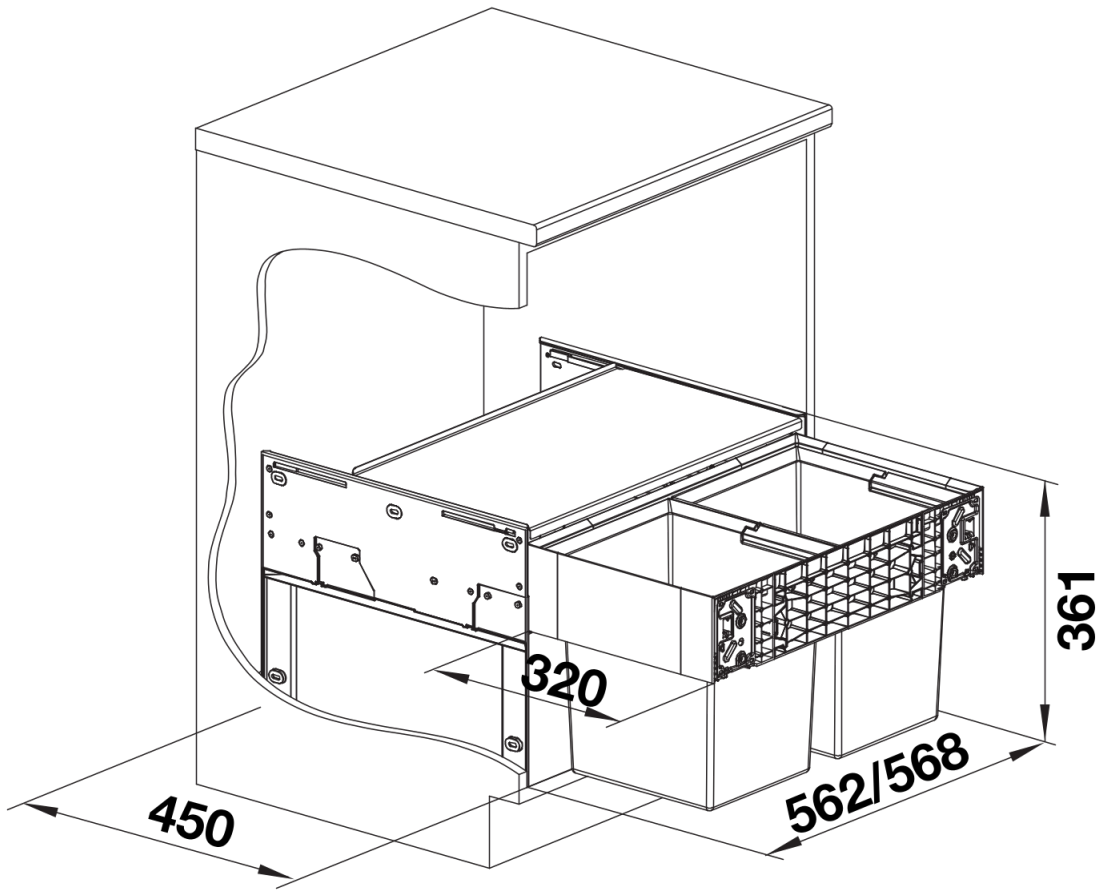
Scope of supply

- Pull-out door system
- 34 litre total capacity (2 x 17L bins)
- Painted steel frame with pull-out system for front attachment
- Template provided
- do not use with hinge door

Details



Top view



PRODUKT_3D