

Product information sheet SELECT II 60/2 Orga

Item no. 526208

Benefits



- Modern, harmonious and functional design
- Integrated construction into existing kitchen cupboard
- All parts are easy to clean
- High quality system cover that can simply be pulled out
- Quick and easy to install
- Functionally designed bins with integrated handles
- Optional: BLANCO MOVEX foot control for pull-out cabinet doors
- The Orga's universal box also fits the top of 15 litre and 19 litre bins

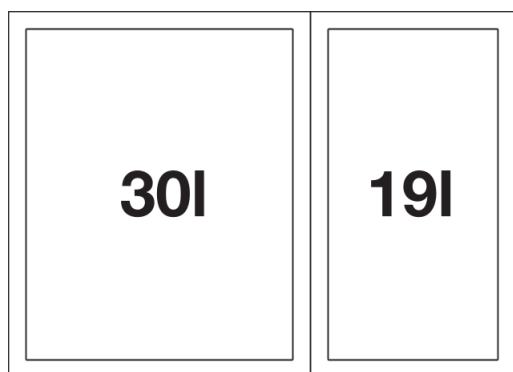
Planning information

- Installation height 458mm (inserted universal boxes are movable in case to avoid the drain pipe), installation depth 400 mm, required inside dimension of cabinet 450 mm.
- Door fronts must not have hinges or holes. Take position of handle into account.
- Can also be installed in cabinets with panelled doors with 40mm frame.
- Consider the installation height of the waste system, installation depth of the sink and the resultant minimum measure of the cabinet right from the planning.

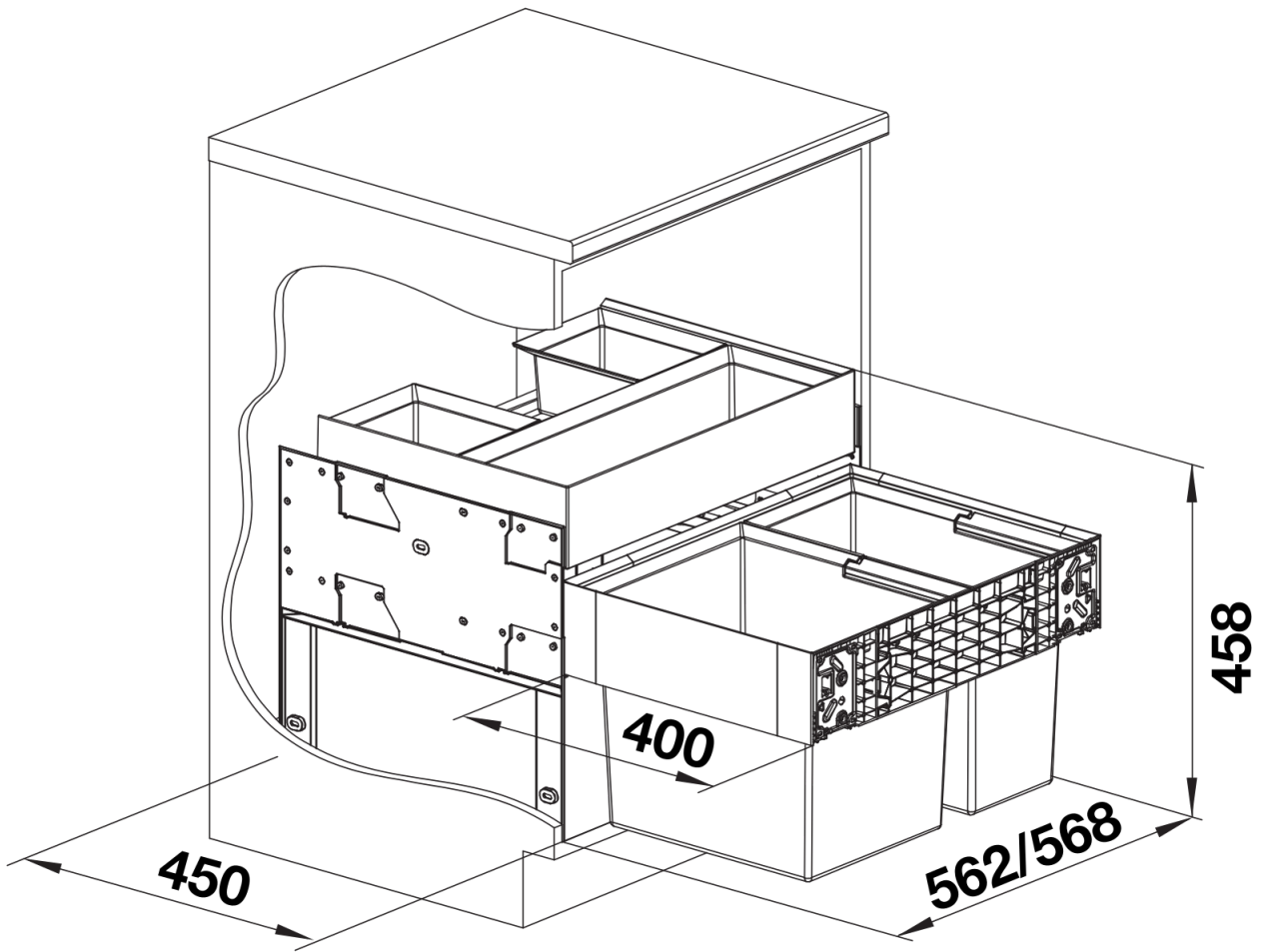
Scope of supply

- 49 litre capacity
- Painted steel frame with pull out unit
- Template provided - do not use with hinge door

Details



Top view



PRODUKT_3D