

Product information sheet SUPRA 400-IF/A

Item no. 526352

Benefits



- Wide range with various size and format options
- With integrated tap ledge in just one worktop cut-out
- Elegant IF flat-rim for installation from above
- Practical optional accessories and drainers available

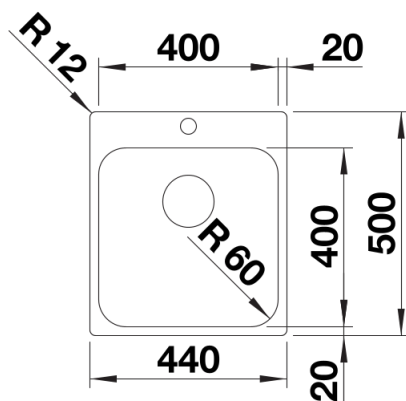
Planning information

- Cut out size: 430 x 490 x R60
- Universal handing. Single hole for tap, not compatible with pop up waste

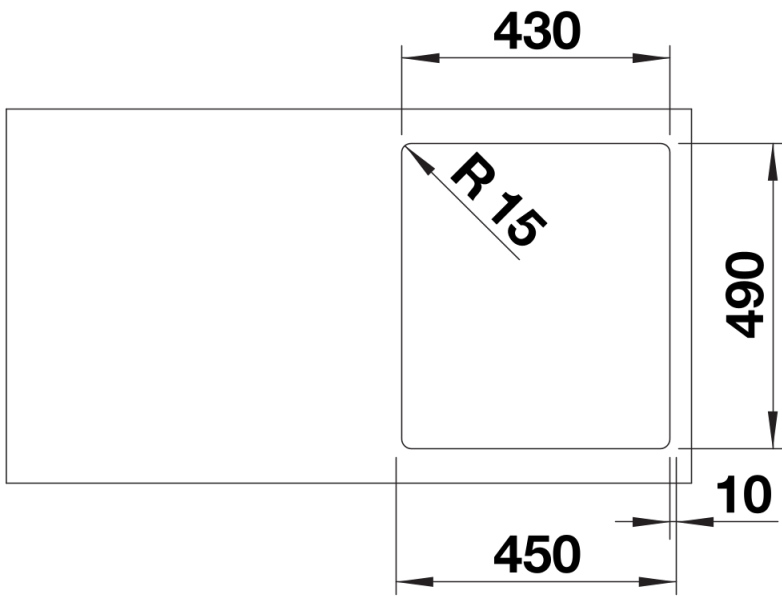
Scope of supply

- 3 ½" basket strainer waste
- overflow and waste
- fixing kit

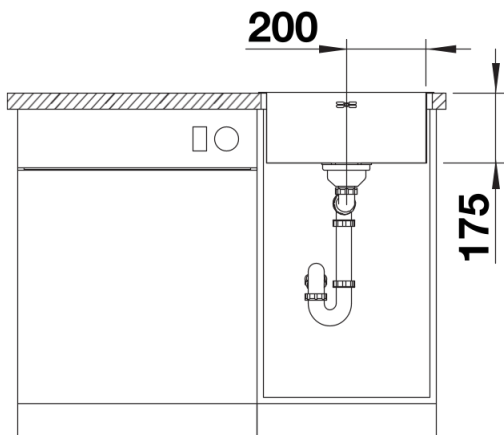
Details



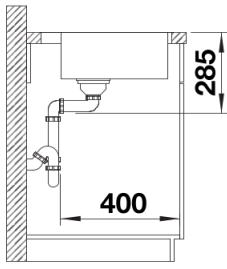
Top view



Cut-out



Front view



Side view