

## Product information sheet drink.hot EVOL-S Pro

Item no. 526313

### Benefits

---



- 4-in-1 semi-pro mixer tap: cold, warm and filtered cold and filtered boiling water
- Delivering exactly the amount of cold or boiling filtered water you need
- Intuitive measuring function and touch control for improved efficiency and reduced water consumption
- Separate insulated spout for purified drinking and boiling water
- Both spouts can be used simultaneously
- Taste neutral titanium boiler and five-stage filtration system with DigiFlow meter
- Dual spray on practical semi-professional flexible spout with precise magnetic holder

### Colours

---



Available colours:

PVD steel  
satin gold

PVD PVD steel

## Scope of supply

---

### System:

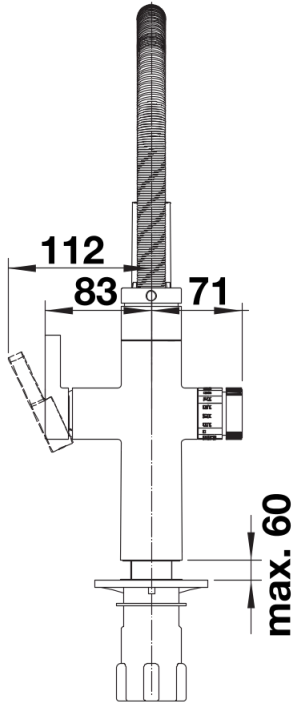
- Top-quality high-pressure titanium boiler (extremely corrosion-resistant, fully tasteless)
- 4 Litres capacity titanium boiler
- Dispenses 100° C boiling temperature:
- Energy efficient (approx. 16W consumption in standby mode)
- Power outlet: 230 VAC, 50/60 Hz.
- Nominal power: 2200 W
- Safety group incl. drain system pipe connection
- High-end water filtering system by BWT, incl. filter head and multi-stage filter cartridge
- Control box with integrated display to show remaining filter capacity

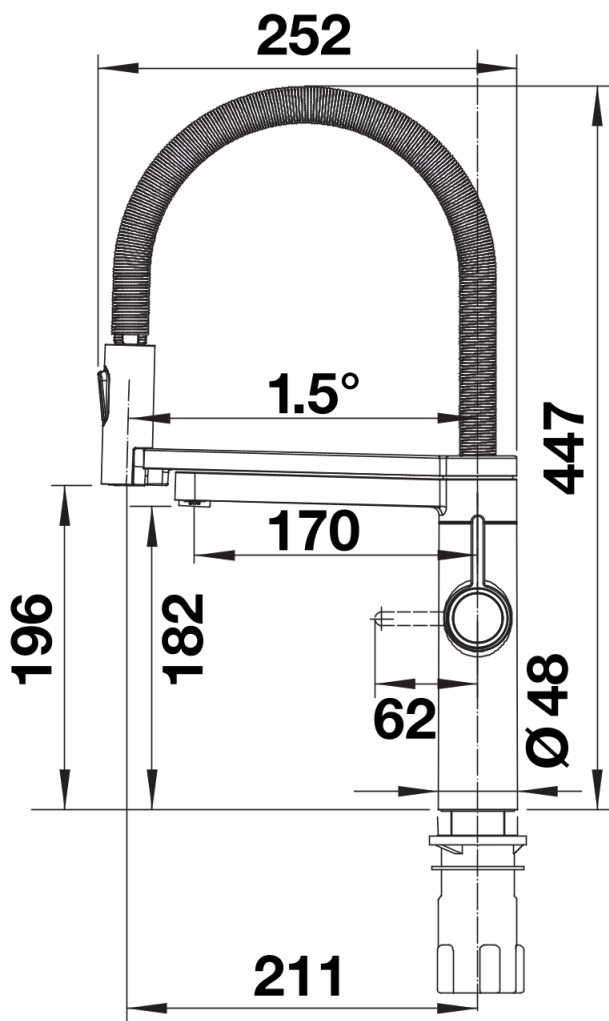
### Tap:

- Semi-professional tap
- Ceramic disc control
- Various flexible connection hoses and connection bends for particularly easy and safe assembly
- Patented jet regulator for markedly reduced scaling
- Requires high pressure supply only, min 1.2bar
- Fit metal stabilising bracket if required, item No. 513383

## Details

---





Side view