

Product information sheet LINUS

Item no. 526683

Benefits



- Minimalist design
- High spout for easy filling of pans and vases
- Stylish L shaped spout
- Spout can be swivelled through 360° for greater cover

Colours



Available colours:

PVD steel
satin gold

PVD satin gold

Planning information

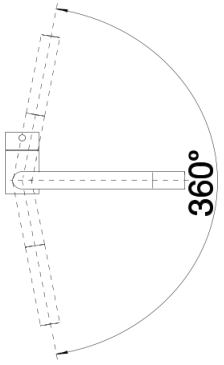
Please note:

- High pressure supply only - requires minimum of 1.0 bar pressure (approx 10 metre head), preferred 1.0-1.5 bar
- $\frac{3}{8}$ " BSP connectors required (not supplied)
- Heavy duty metal tap stabilising bracket, fit when required. Item No. 450775
- Height: 284mm
- Reach: 219mm
- Base: 45mm
- Tap hole: \varnothing 35mm

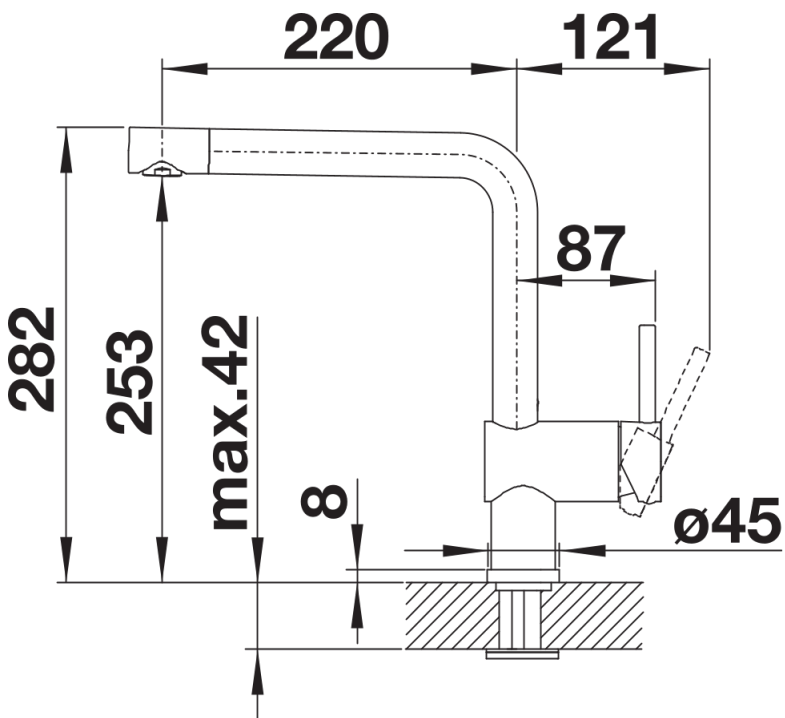
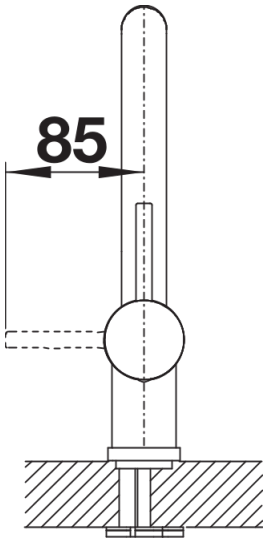
Scope of supply

- Single-lever mixer tap
- Spout can be swivelled by 360°
- With ceramic disc cartridge
- $\frac{3}{8}$ " flexible connector pipes, 450mm long for particularly easy and safe installation
- Patented jet regulator for markedly reduced scaling
- Requires balanced high pressure supply only, min 1.0 bar
- Fit metal stabilising bracket if required, item No. 450775

Details



Swivel range



Side view