

## Product information sheet LINUS-S

Item no. 526242

### Benefits

---



- Minimalist design
- Extendable spray head
- High quality metal spray
- High spout for easy filling of large pans and vases

### Colours

---



Available colours:

- PVD steel
- satin gold
- satin dark steel
- satin platinum

PVD PVD steel

## Planning information

---

- Please note:

- High pressure supply only - requires minimum of 1.0 bar pressure (approx 10 metre head), preferred 1.0-1.5 bar  
3/8" BSP connectors required (not supplied)  
Heavy duty metal tap stabilising bracket, fit when required. Item No. 513383  
Height: 284mm  
Reach: 219mm  
Base: 45mm  
Tap hole: ø35mm

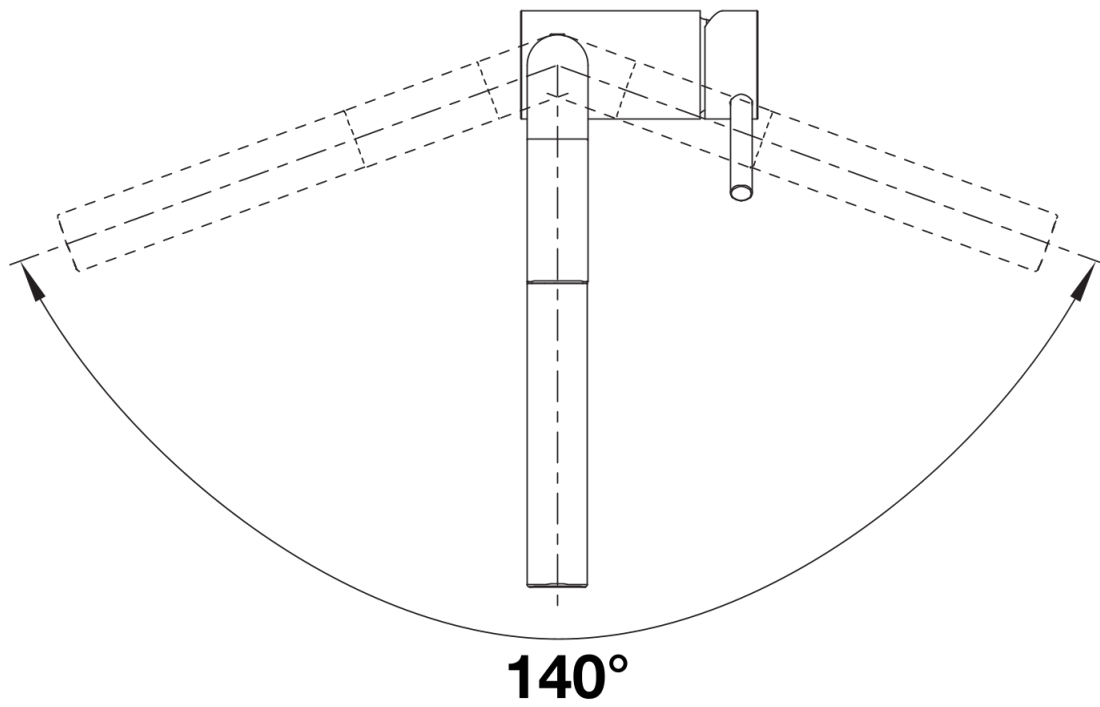
## Scope of supply

---

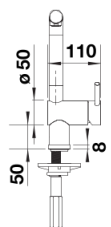
- Ø35mm tap hole required
- Flexible connector pipes, 700 mm long and 3/8" nut
- Requires balanced high pressure supply only, minimum 1.0 bar
- Fit metal stabilising bracket if required, item number 513383

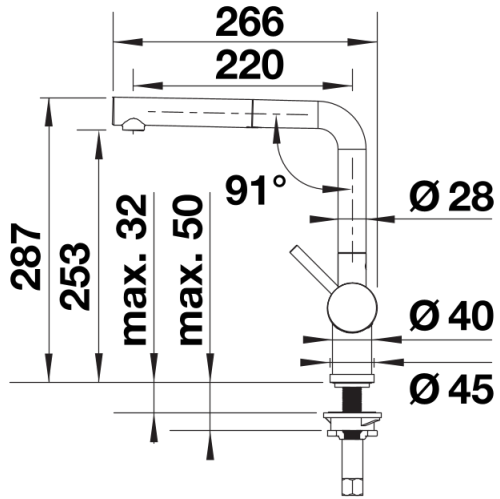
## Details

---



Swivel range





Side view