

Product information sheet LINUS-S

Item no. 526684

Benefits



- Minimalist design
- Extendable spray head
- High quality metal spray
- High spout for easy filling of large pans and vases

Colours



Available colours:

PVD steel
satin gold

PVD satin gold

Planning information

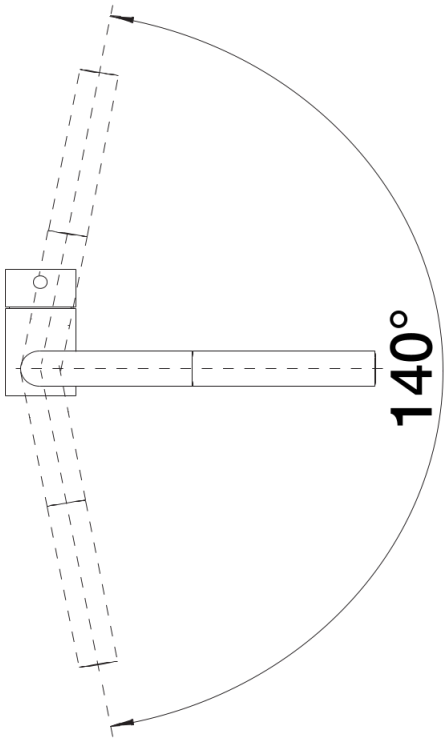
Please note:

- High pressure supply only - requires minimum of 1.0 bar pressure (approx 10 metre head), preferred 1.0-1.5 bar
- $\frac{3}{8}$ " BSP connectors required (not supplied)
- Heavy duty metal tap stabilising bracket, fit when required. Item No. 450775
- Height: 284mm
- Reach: 219mm
- Base: 45mm
- Tap hole: \varnothing 35mm

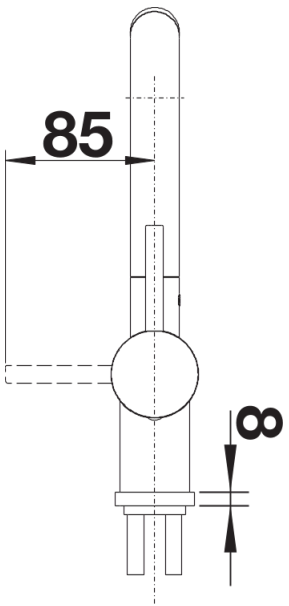
Scope of supply

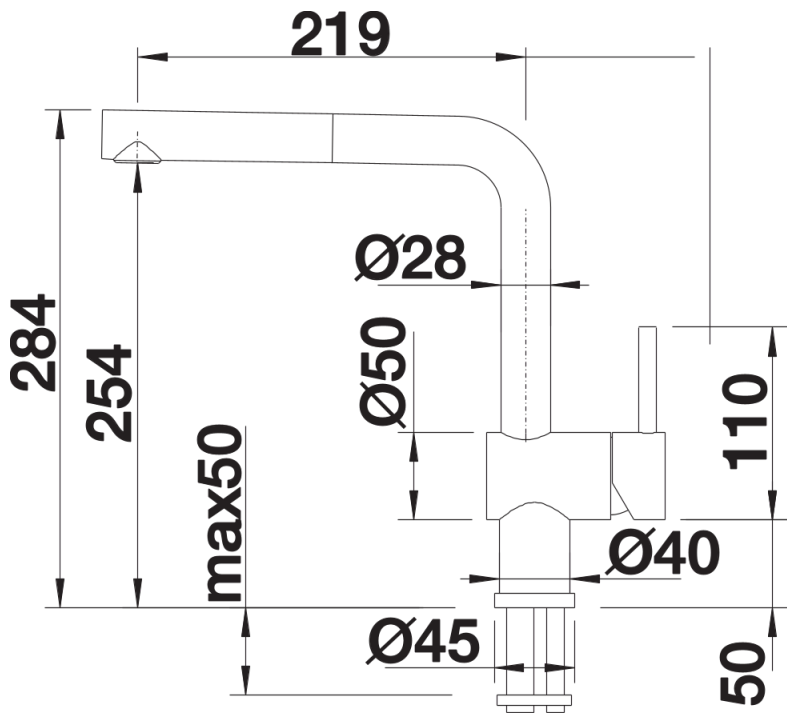
- Single-lever mixer tap
- With ceramic disc cartridge
- Metal-sheathed spray hose
- Flexible connector pipes, 450mm long and $\frac{3}{8}$ " nut for particularly easy installation
- Patented jet regulator for markedly reduced scaling
- Requires balanced high pressure supply only, min 1.0 bar
- Fit metal stabilising bracket if required, item No. 450775
- LGA approved

Details



Swivel range





Side view