

## Product information sheet LINUS-S

Item no. 527699

### Benefits

---



- A proven design with a minimalistic, contemporary style. Stability without bulkiness
- Pull-out, extendable tap head for extra reach around the sink
- Available in different metal surfaces to create a harmonious look with matching accessories in the same finish
- Metal finishes include PVD steel which is less sensitive to scratches and wear and tear compared to chrome and less likely to show fingerprint marks
- Spout swivels 140° for cleaning all areas of the sink

## Colours

---



Available colours:

- PVD steel
- satin gold
- satin dark steel
- satin platinum

PVD satin platinum

## Planning information

---

- Please note:  
High pressure supply only - requires minimum of 1.0 bar pressure (approx 10 metre head), preferred 1.0-1.5 bar  
3/8" BSP connectors required (not supplied)  
Heavy duty metal tap stabilising bracket, fit when required. Item No. 513383  
Height: 284mm  
Reach: 219mm  
Base: 45mm  
Tap hole: ø35mm

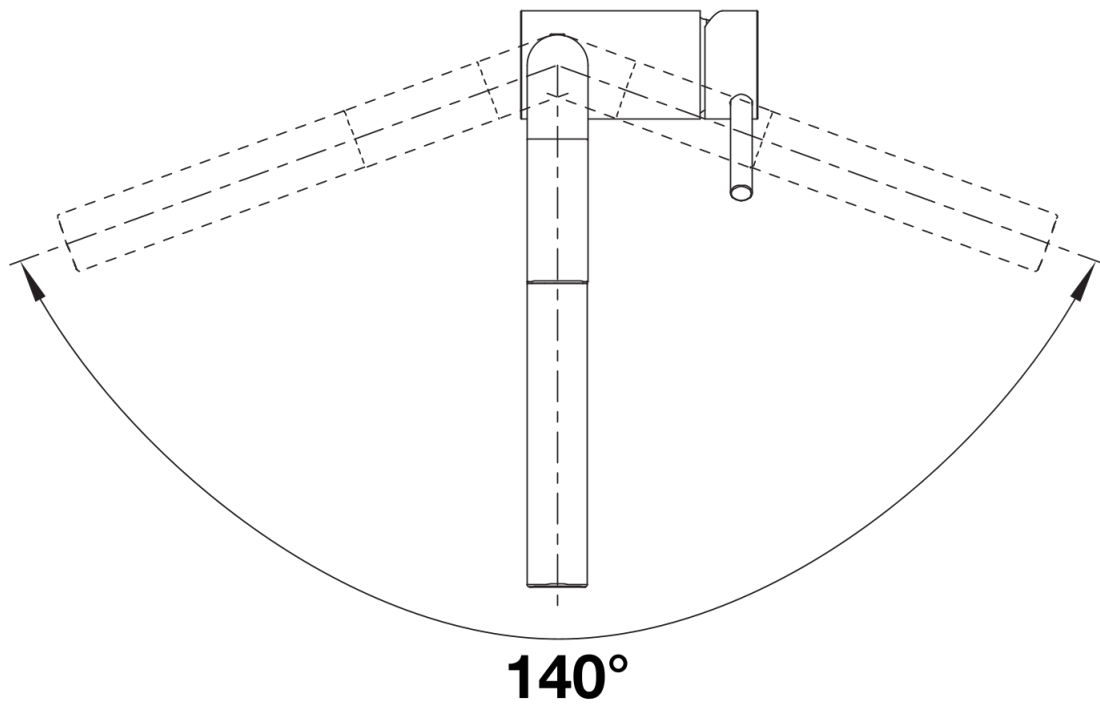
## Scope of supply

---

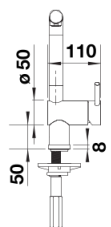
- Ø35mm tap hole required
- Flexible connector pipes, 700 mm long and 3/8" nut
- Requires balanced high pressure supply only, minimum 1.0 bar
- Fit metal stabilising bracket if required, item number 513383

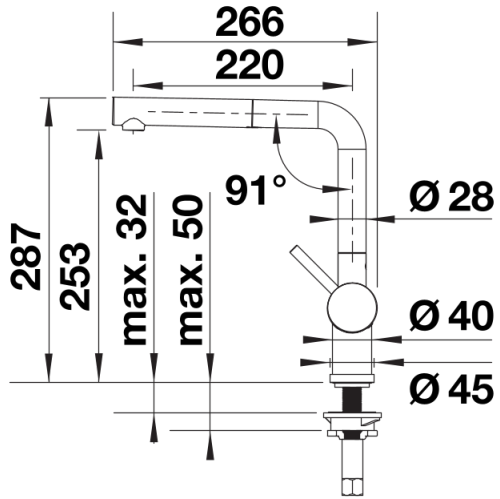
## Details

---



Swivel range





Side view