

## Product information sheet SINGOLO XL

Item no. 526377

### Benefits

---



- Compact system for mounting directly on the cabinet door
- Large waste volume despite compact dimensions
- Conveniently opens with the cabinet door
- The bin can be easily removed by lifting upwards
- Highly stable thanks to the steel body
- Continuously adjustable: also suitable for panel doors
- Can be mounted on the left or right side
- For 400mm (or greater) base cabinets

## Planning information

---

- Installation details provided. Minimum 400mm cabinet width

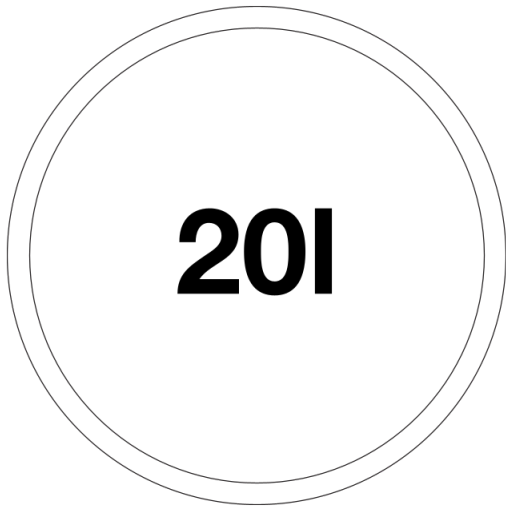
## Scope of supply

---

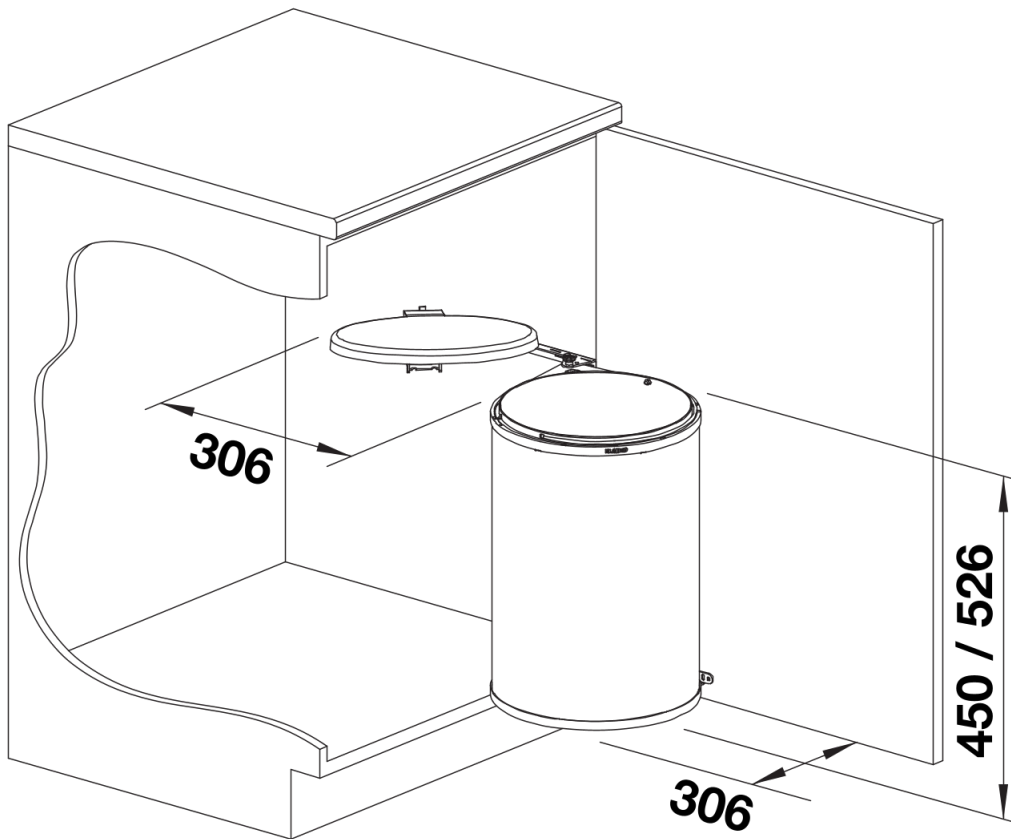
- For installation on hinged door
- 1 x 20L bin and bin lid
- mounting and fittings supplied.

## Details

---



Top view



PRODUKT\_3D