

## Product information sheet BOTTON II 30/2

Item no. 526376

### Benefits

---



- Large waste volume despite compact dimensions
- Can be flexibly positioned in the base cabinet
- Easy to install on the floor using just four screws
- Extremely sturdy thanks to the U-shaped steel sheet profile
- The bins can be easily removed by lifting upwards
- Functional design made of high-quality plastic
- Can be used in any base cabinet 300mm or greater

## Planning information

---

- Use with a hinged door only.
- Ensure cabinet depth allows for full depth of 482mm.

## Scope of supply

---

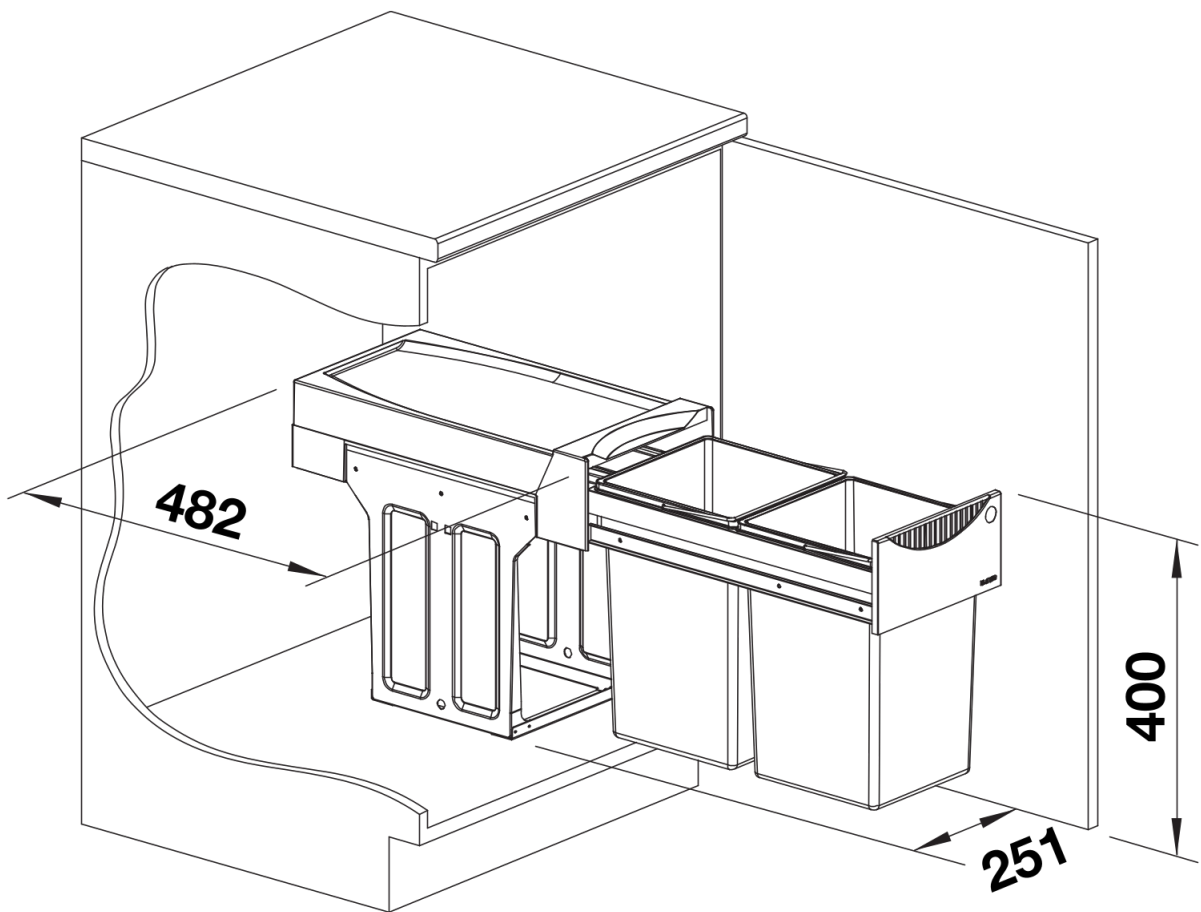
- 30 litre capacity
- 2 x 15L containers
- Template provided

## Details

---

15l
15l

Top view



PRODUKT\_3D