

Product information sheet FONTAS II Filter

Item no. 526670

Benefits



- Comfortable 3-in-1-mixer tap with cold and warm water lever on the right, filtered water lever on the left
- Separate water circuit with extra spout for filtered water - no mixture with mains water
- Space-saving and practical: with the 3-in-1-tap no additional drilling is required for filtered water supply
- Needs to be installed with a water filter system

Colours



Available colours:
black matt

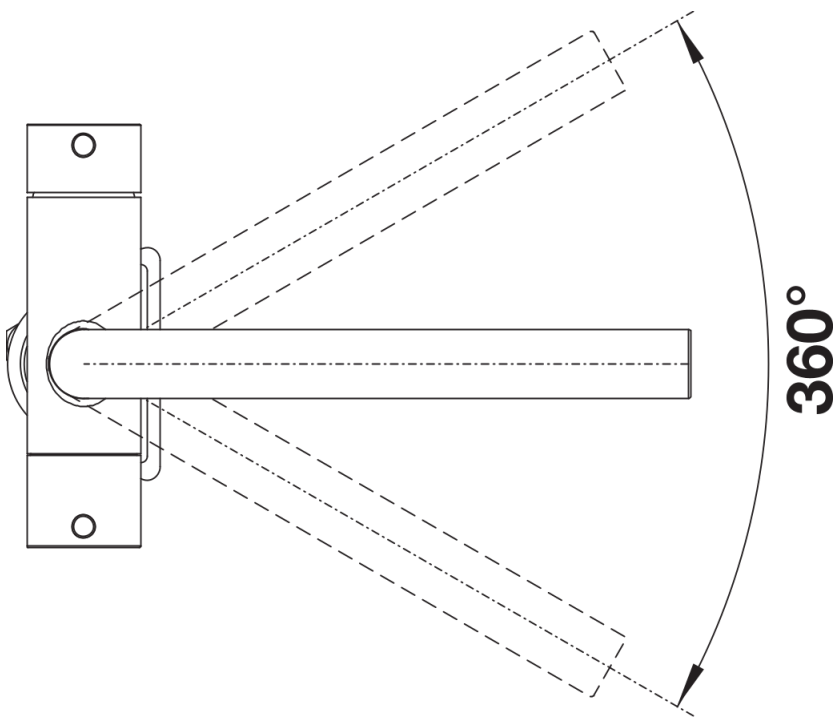
Special colours black matt

Scope of supply

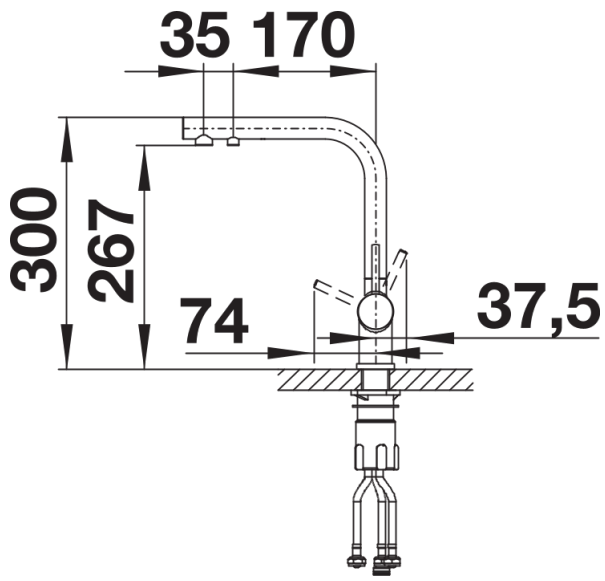
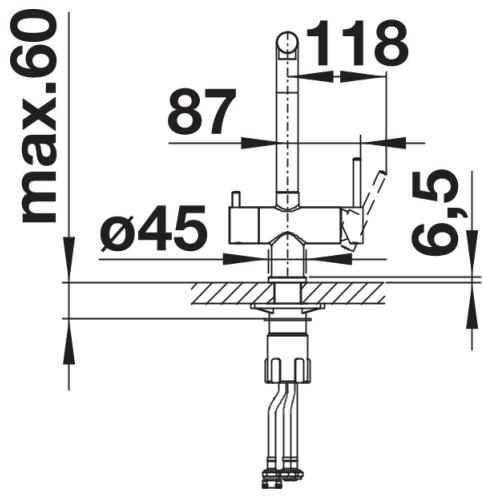
Mixer tap:

- 360° swivel spout for greater reach
- Ø 35 mm tap hole required
- With ceramic disk cartridge
- 3/8" flexible connector pipes, 450 mm long for easier installation
- Requires balanced high pressure supply only, minimum of 1.0 bar
- Fit metal stabilising bracket if required, item No. 513383
- Replacement cartridge: Heavy metal filter / Reduces chemicals and chlorines / Filter requires changing up to every 1,800 litres dependent upon water hardness in your area
- Filter system not included.

Details



Swivel range



Side view