

## Product information sheet MAX II

Item no. 526677

### Benefits

---



- Modern timeless design
- Enlarged working radius thanks to the swivel spout
- High arch spout for easy filling
- Available in both Chrome and PVD steel

### Colours

---



Available colours:

chrome

galvanic chrome

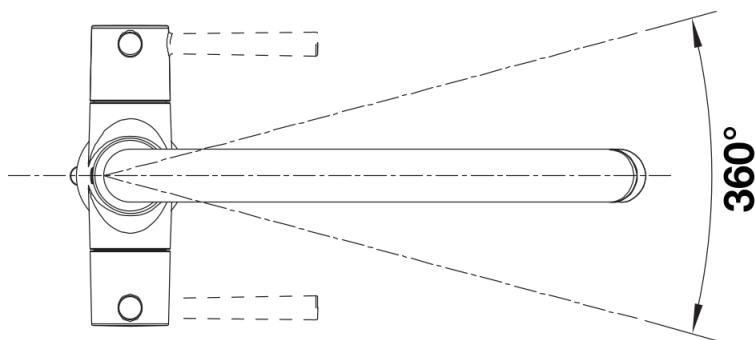
## Scope of supply

---

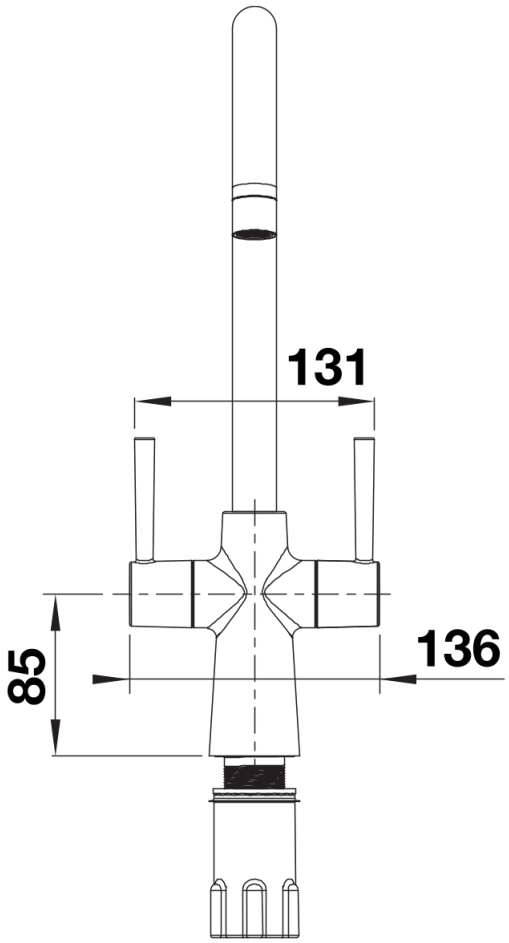
- Twin lever monobloc mixer tap
- High arch spout
- Ceramic disc controls
- ½" flexible connector pipes, 700 mm long
- Suitable for low pressure gravity and pressure systems max 5.0 bar, min 0.3 bar

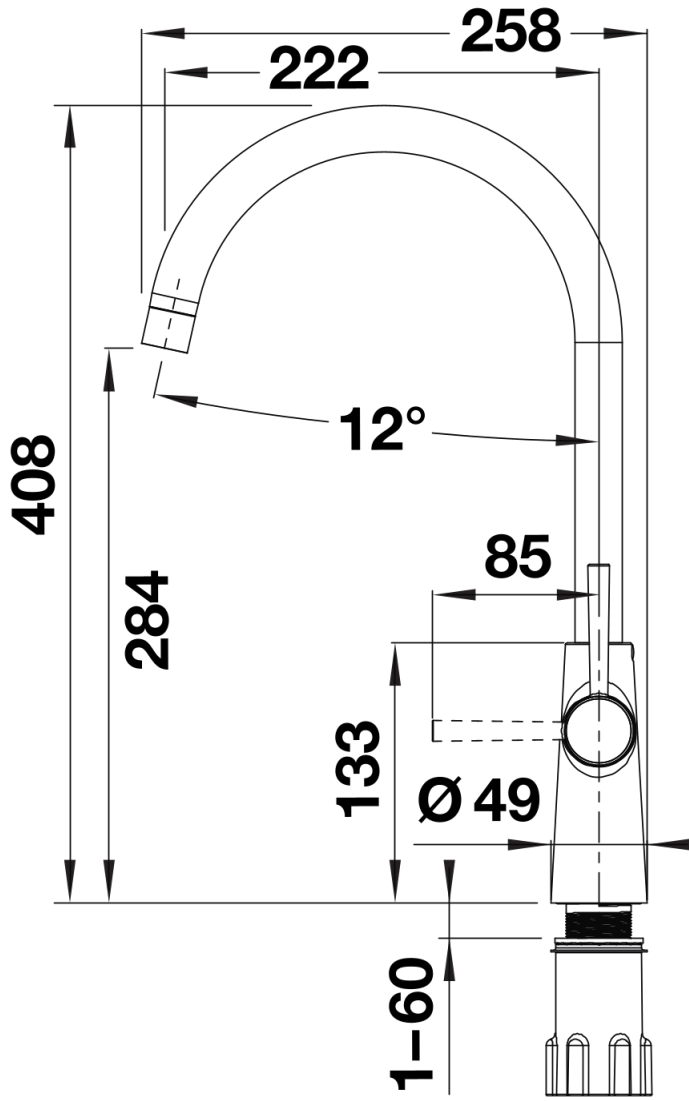
## Details

---



## Swivel range





Side view