

Product information sheet VICUS Single lever spray

Item no. 526689

Benefits



- Classic design with modern functionality
- PVD steel - easy to clean, stain and wear resistant
- High quality ceramic seals and cartridge for extremely long-lasting operation
- Available in different finishes

Colours



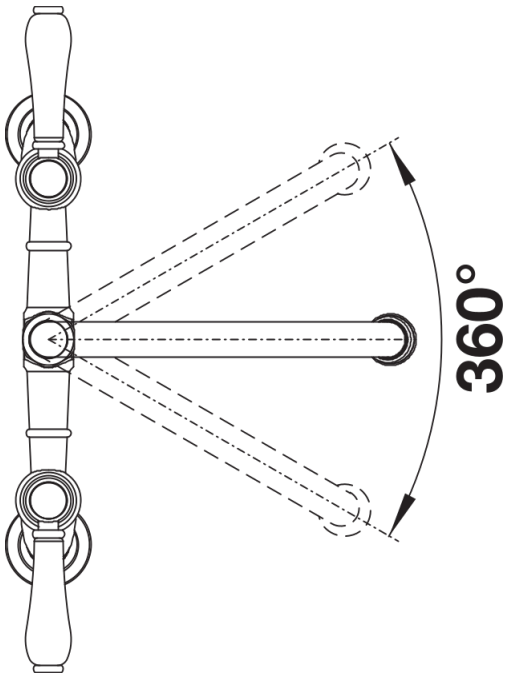
Available colours:
satin gold

PVD satin gold

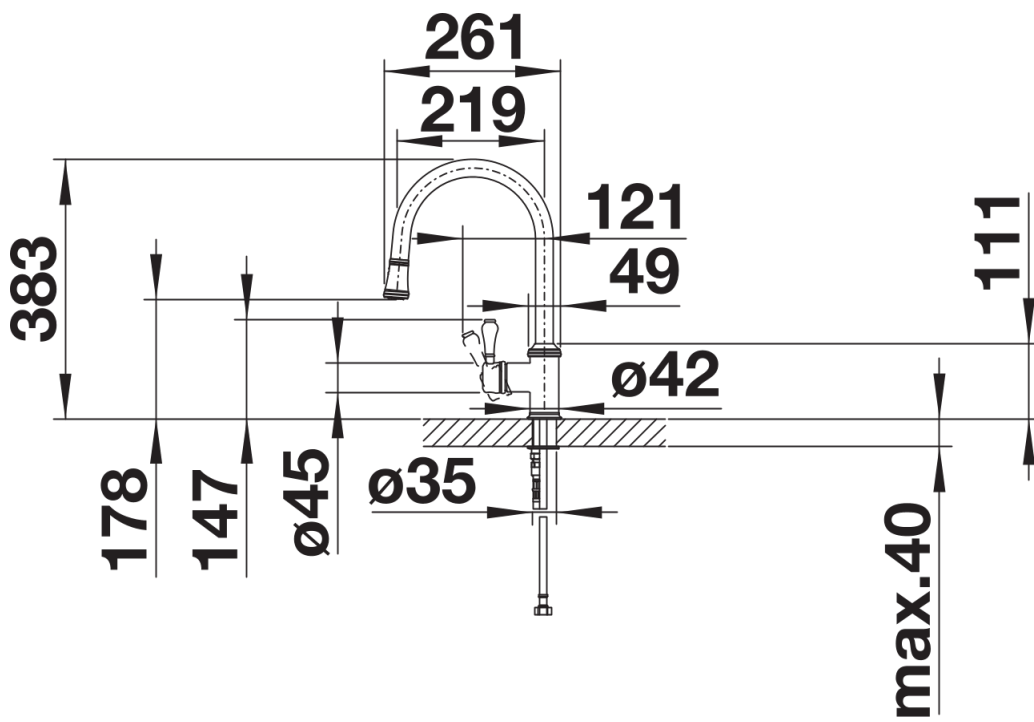
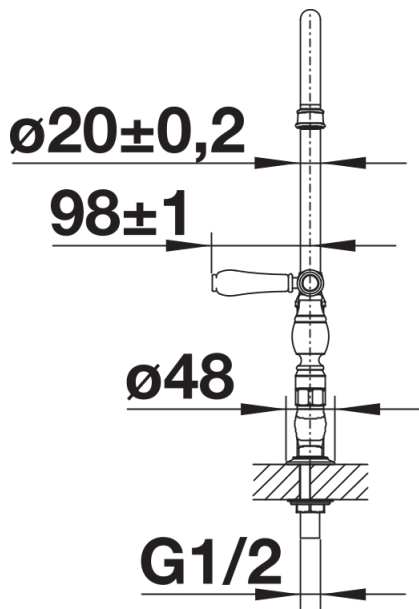
Scope of supply

- Single lever mixer tap with pull-out spray hose
- Ceramic disk cartridge
- Flexible connector pipes, 450mm long and $\frac{3}{8}$ " nut
- \varnothing 35mm tap hole required
- Requires balanced high pressure supply only, min 1.0 bar

Details



Swivel range



Side view